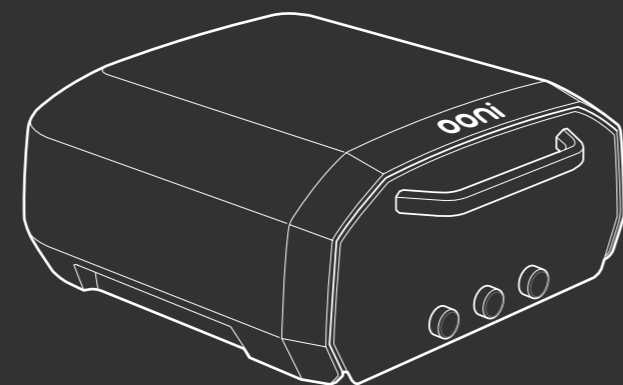




Volt 12

Manual & Safety Instructions

UK



6

a

b

c

7

a

b

c

d

e

8

a

b

c

d

e

9

a

b

c

d

e

9

a

b

c

d

10

11

a

b

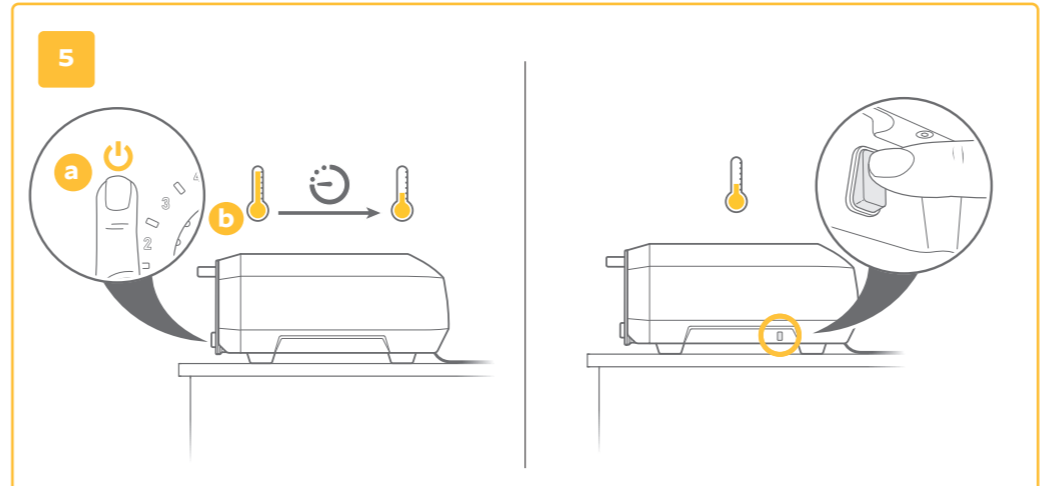
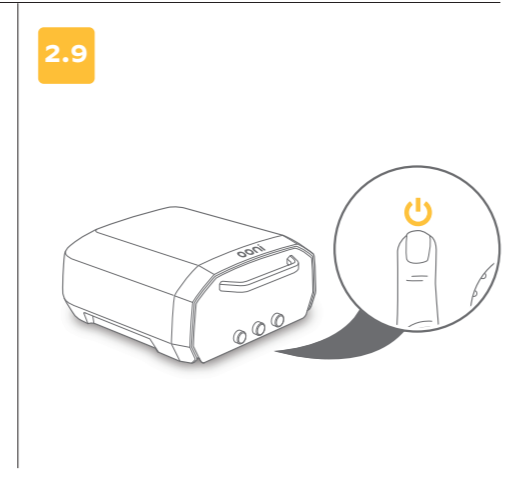
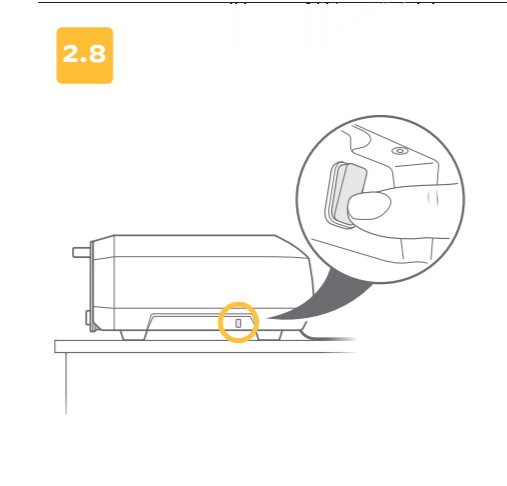
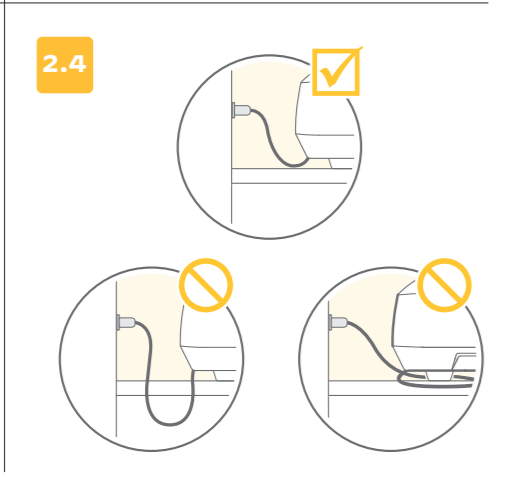
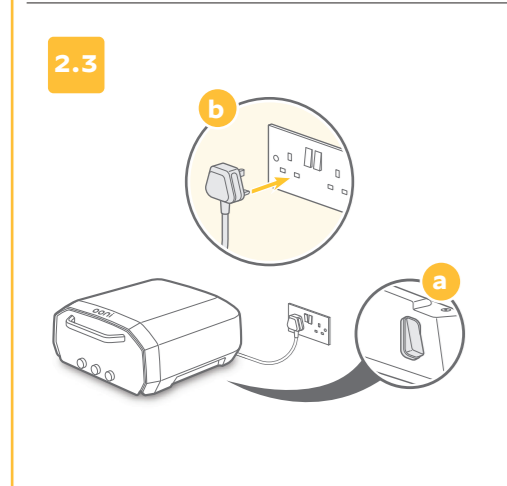
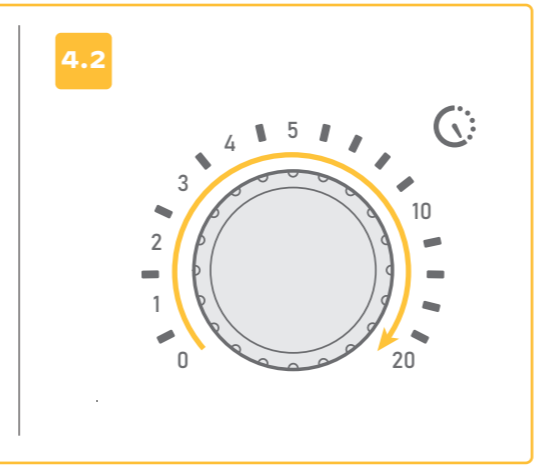
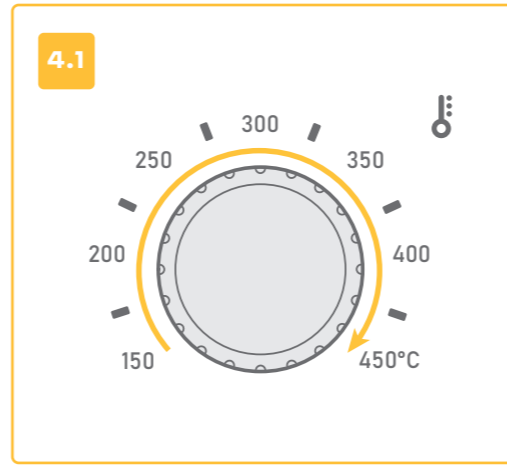
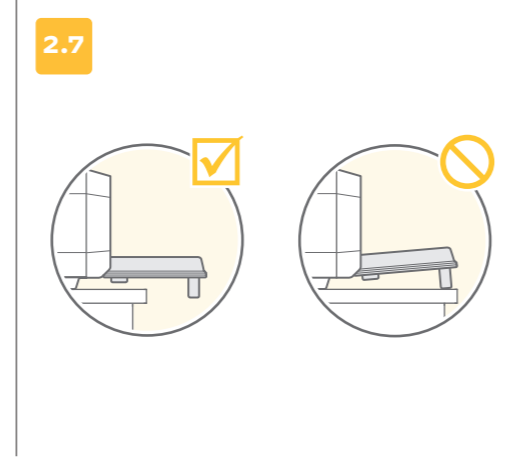
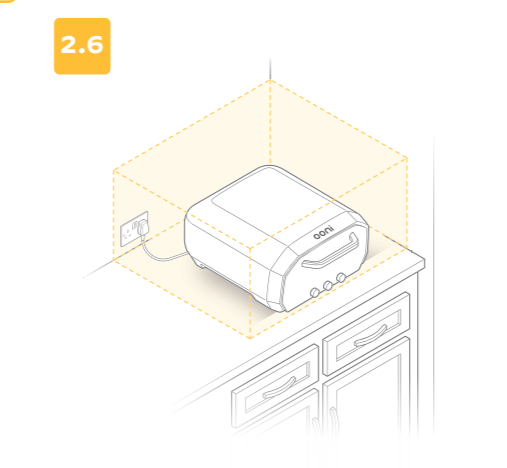
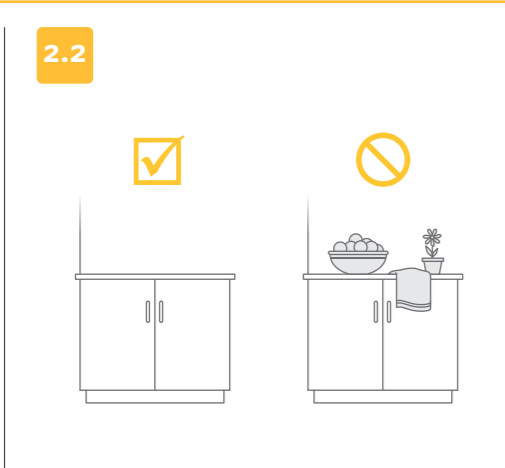
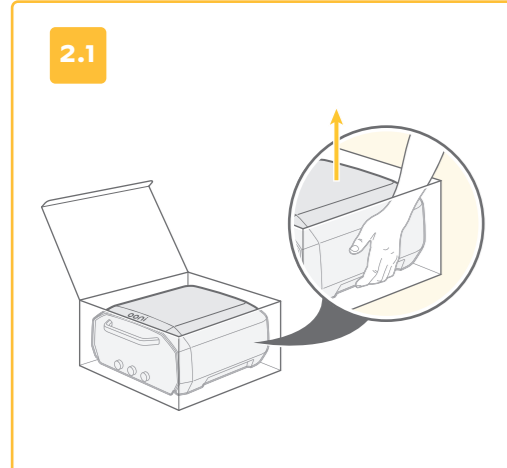
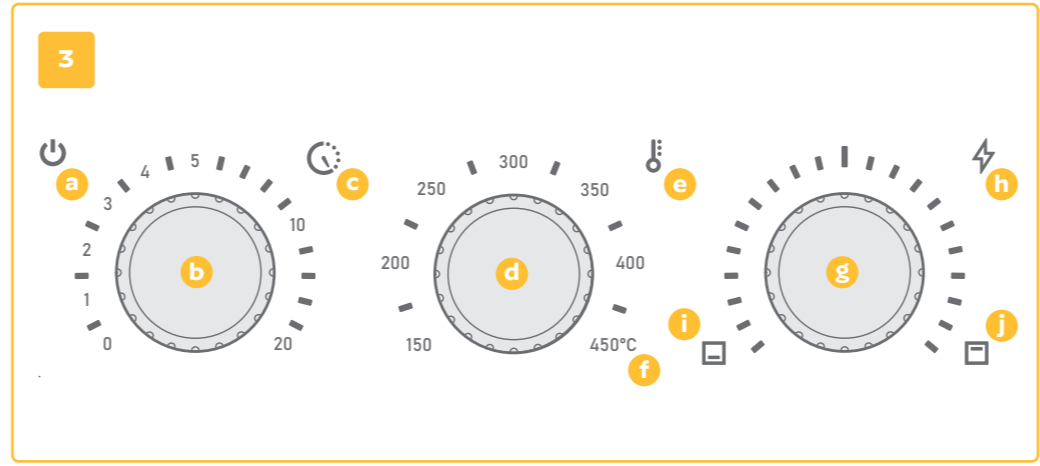
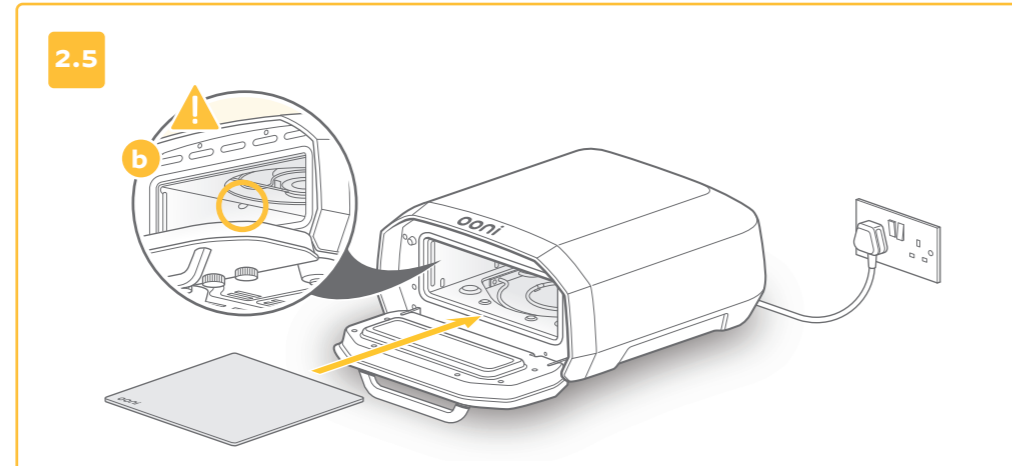
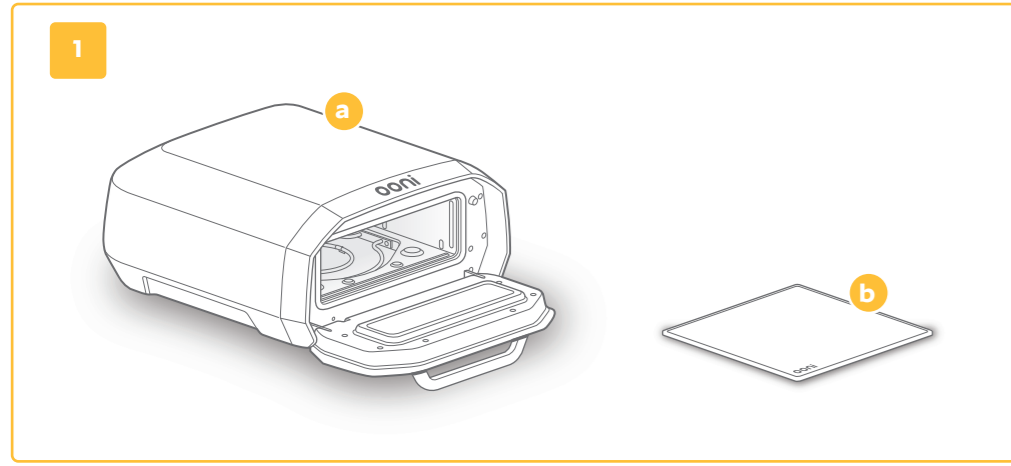
c

d

e

f

g



⚠ WARNING

The appliance can be used by children aged 8 years and above, and persons with reduced physical, sensory or mental capabilities or lack of experience and knowledge under supervision, or if they have been given instruction about using the appliance in a safe way and understand the hazards involved. Children shall not play with the appliance. Cleaning and user maintenance shall not be made by children unless they are older than 8 and supervised.

Keep the appliance and its cord out of reach of children less than 8 years.

The appliance is suitable for outdoor use.

Before turning off the power switch or disconnecting from the outlet, let the oven cool down in standby mode. This will take approximately 10 minutes.

The appliance is to be connected to a socket-outlet with an earthing contact.

The supply cord should be regularly examined for signs of damage, and if the cord is damaged, the appliance should not be used. The supply cord must be replaced by the manufacturer, its service agent or similarly qualified persons to avoid a hazard.

The appliance must be supplied through a residual current device (RCD) having a rated residual operating current not exceeding 30 mA.

The appliance is not intended to be operated by means of an external timer or separate remote-control system.

The appliance is intended to be used in household applications only.

Do not open the door in the event food spontaneously ignites. Any flames will extinguish themselves.

Do not place oil or baking paper directly on the baking stone.

Do not use the appliance without the baking stone in place.

Do not rest anything on the door once open. Avoid cold items of food dropping onto the inside of the door.

Do not use oven cleaners and metal scourers to clean this appliance.

Do not use a hose or pressure washer to clean this appliance

Only store the baking stone inside the oven.

Do not lean or set items on top of the oven.

This appliance is intended for use up to a maximum of 3,000 meters above sea level.



This appliance generates heat during use. Do not touch hot surfaces. Use handles or knobs. Always protect your hands with non-slip oven mitts or similar.

1. Parts List:

- a. Ooni Volt 12
- b. Baking Stone

2. Setting Up

2.1 | Step 1:

Take your Ooni Volt 12 out of the packaging. There are handholds on the side of the oven.

2.2 | Step 2:

Find a clean, flat, stable surface for your Ooni Volt 12. Clear the space before moving your oven into position. Remove any flammable objects and materials, including tablecloths.

Think about ventilation when choosing a suitable place for your oven. Very high cooking temperatures can sometimes cause food to burn, which can produce smoke.

2.3 | Step 3:

Unwind the power cord. Make sure that the power switch is in the off position before plugging your Ooni Volt 12 into a power outlet. This oven is designed to be used with 230V outlets only.

Caution: *The Ooni Volt 12 comes with a short power supply cord to reduce the risk of the oven being pulled off the countertop. If you're using an extension cord, make sure that its marked electrical rating is at least as great as the appliance's electrical rating (1600W). Route the extension cord so that it can't be pulled on or tripped over to minimize the risk of the oven falling.*

2.4 | Step 4:

Make sure that the cable doesn't run under the oven or drape over the edge of the countertop or tabletop where it can be pulled on or tripped over.

2.5 | Step 5:

Remove the baking stone from its packaging and slide it into the Ooni Volt 12.

Caution: *Avoid hitting the temperature sensor on the left wall of the oven's cavity when moving the stone into position. See image 2.5 b.*

2.6 | Step 6:

Make sure there is space around the product to allow for safe operation. Enough space should be left to access the ON/OFF switch on the right-hand side. The area above the oven should be generally clear. Do not place inside an enclosed space.

2.7 | Step 7:

To allow the oven door to open fully, position the oven so the front is close to the edge of your surface.

2.8 | Step 8:

Turn on your Ooni Volt 12 with the power switch on the side. The oven will enter standby mode.

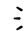

2.9 | Step 9:

Touch the power button located on the left of the control dials to bring the oven out of standby.

3. Dial Functions

- | | | |
|----------------------------|-------------------------------|------------------------|
| a. Standby/Power | e. Temperature Icon | i. Base Element |
| b. Timer Dial | f. Maximum Temperature | j. Top Element |
| c. Timer Icon | g. Balance Dial | |
| d. Temperature Dial | h. Balance Icon | |

4. Seasoning

 - Pulsing LED
 - Solid LED

4.1 | Step 1:

Before your first cook, run the oven for 20 minutes to season it. To heat your oven, rotate the temperature dial to 450°C. Your oven will start to heat immediately.

4.2 | Step 2:

Rotate the timer dial to 20 minutes. When the timer expires, switch off your Ooni Volt 12 and allow it to cool.

5. Power Off**5.1 | Step 1:**

Simply touch the power button on the front of the oven to power off the oven. The oven will switch to standby mode.


⚠ WARNING Before turning off the power switch or disconnecting from the outlet, let the oven cool down in standby mode. This will take around 10 minutes.

5.2 | Step 2:

Before moving the oven, leave to cool for 90 minutes.

6. Timer Dial

- Turn the left-hand dial clockwise to increase the length of time of the timer up to 20 minutes.
- Turn anticlockwise to reduce the amount of time on the timer or rotate to 0 to cancel.

- c. Once the timer is complete, a sound will play and the  icon will flash.
- d. To stop the sound, press the timer dial.

7. Temperature dial

- a. Turn the dial clockwise to increase the Ooni Volt 12 oven temperature.
- b. Turn anticlockwise to reduce the Ooni Volt 12 oven temperature.
- c. Temperature set to 450°C (Max temp)
- d. Current temperature = 300°C during heat up
- e. Set temperature achieved at 450°C

We recommend using the Ooni Infrared Thermometer to ensure the Baking Stone is up to temperature for best results.

8. Balance Dial Setting

The right-hand dial is the balance dial. This dial shifts power between the top and the bottom heating elements. You can use it to change the way that your base or pizza toppings cook.

- a. Balance settings on the Ooni Volt 12 are pre-set for each temperature. As you select your temperature the balance will automatically be set.
- b. During the heat-up sequence the balance indicator will turn off.
- c. Once your Ooni Volt 12 has reached the selected temperature the balance "indicator" will turn back on and can be adjusted.
- d. Turn the dial clockwise to shift the balance towards the top.
- e. Turn the dial anticlockwise to shift the balance towards the bottom.

Check out the Ooni Volt 12 Essentials Guide to view our recommended oven settings for different pizza styles.

9. Boost

If the base of your pizza is not cooking in line with the top, Boost can be used to recharge the stone.

- a. Turn the balance dial anticlockwise all the way around.
- b. Boost function has started when the icon starts to flash quickly. Boost will last for 45 seconds.
- c. Once Boost has stopped, your balance will return to the temperature recommended setting. The bottom icon will flash slowly, Boost is not available during this time.
- d. When the icon stops flashing Boost mode is available again.

10. Mute

To mute or unmute the dial chime, press the timer dial in for three seconds. This will not mute the timer or the “temperature reached” sounds.

11. Troubleshooting

Error Codes - LEDs will Turn Red Depending on Error State

If an error occurs, contact Ooni customer service at support.ooni.com and quote the error code.

If an error occurs, contact Ooni customer service at support.ooni.com and quote the error code. Any other servicing should be performed by an authorized service representative.

a. Error 1:

Cavity Thermal Probe Short

150 temperature dial LED illuminates red.
Alarm tone sounds.

b. Error 2:

Cavity Thermal Probe Open Circuit

200 temperature dial LED illuminates red.
Alarm tone sounds.

c. Error 3:

Oven Over Temperature

250 temperature dial LED illuminates red.
Alarm tone sounds

d. Error 4:

PCB Over Temperature

300 temperature dial LED illuminates red.
Alarm tone sounds.

e. Error 5:

PCB Temperature Sensor Short Circuit

350 temperature dial LED illuminates red.
Alarm tone sounds.

f. Error 6:

PCB Temperature Sensor Open Circuit

400 temperature dial LED illuminates red.
Alarm tone sounds.

g. Error 7:

PCB Communications Fault

450 temperature dial LED illuminates red.
Alarm tone sounds.

12. Care and Maintenance

Storing

You can use Ooni Volt 12 outside. Store indoors in dry conditions when not in use.

Only store the baking stone inside the oven — don't store food or other items in the oven cavity.

Do not lean on or put items on top of your Ooni Volt 12. Doing so could damage your oven.

Keep your oven clean while in storage with the Ooni Volt 12 Pizza Oven Cover. You can order the oven cover at ooni.com.

Baking Stone

1. DO NOT use the baking stone over an open flame.
2. Avoid extreme temperature change to the stone. DO NOT place frozen foods onto the stone if using temperatures in excess of 200°C.
3. The stone is fragile and can break if bumped or dropped.
4. The stone is very hot during use and stays hot for a long time after use.
5. DO NOT cool the stone with water or use it when damp.
6. To clean off burned food marks, wait until the stone is cool, use two hands to carefully take it out of the oven, flip it over and slide it gently back in. The debris on the underside of the stone will burn away the next time you use your Ooni Volt 12.
7. If your stone breaks: Turn your oven off, let it cool and unplug it before you remove the broken baking stone. If your Ooni Volt 12 is in warranty, get in touch with our support team to order a replacement. If your Ooni Volt 12 is out of warranty, you can buy a new baking stone at ooni.com.

Glass Door

Wait until Ooni Volt 12 is completely cool before cleaning the glass door. You can remove grease using dry paper towels or a dry cloth. For more thorough cleaning, use warm, soapy water, but make sure your Ooni Volt 12 is completely dry before switching it on again.

Oven Interior and Exterior

Your Ooni Volt 12 should not require any interior cleaning. Any food residue should burn off when in use. You can use a wire brush to sweep away excess debris on the stone.




Over time the interior of the Ooni Volt 12 may discolor slightly. This is completely normal.

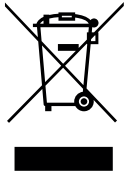
Don't use oven cleaners or metal scourers to clean your pizza oven because they will damage the Ooni Volt 12.

To clean the outside of your pizza oven, wait until it's cool, unplug it and use a lightly damp cloth to wipe the oven body. Dry with a clean towel right away.

Product Technical Information

Product Label

	<p>Ooni Volt 12 Pizza Oven SKU: UU-P12400 220-240V~1600W IPX4</p>	<p>Ooni Limited, Unit 5 Bishopsgate Business Park, 189 West Main Street Broxburn, Scotland, EH52 5LH United Kingdom</p>
 	<p>Serial Number:</p>	<p>Ooni GmbH, Simrockstraße 11, 53113 Bonn, Germany</p> <p>Ooni, Inc. 2140 South Dupont Highway, Camden, Kent, 19934 DE, USA</p>
<p>Production code:</p>		<p>PA-A000A5</p>



This marking indicates that this product should not be disposed with other household wastes throughout the EU. To prevent possible harm to the environment or human health from uncontrolled waste disposal, recycle it responsibly to promote the sustainable reuse of material sources. To return your used device, please use the return and collection systems or contact the retailer where this product was purchased. They can take this product for environmental safe recycling.

Imported in to the UK by:

Ooni HQ, Bishopsgate Business Park, 189 West Main Street, Broxburn, EH52 5LH, UK