



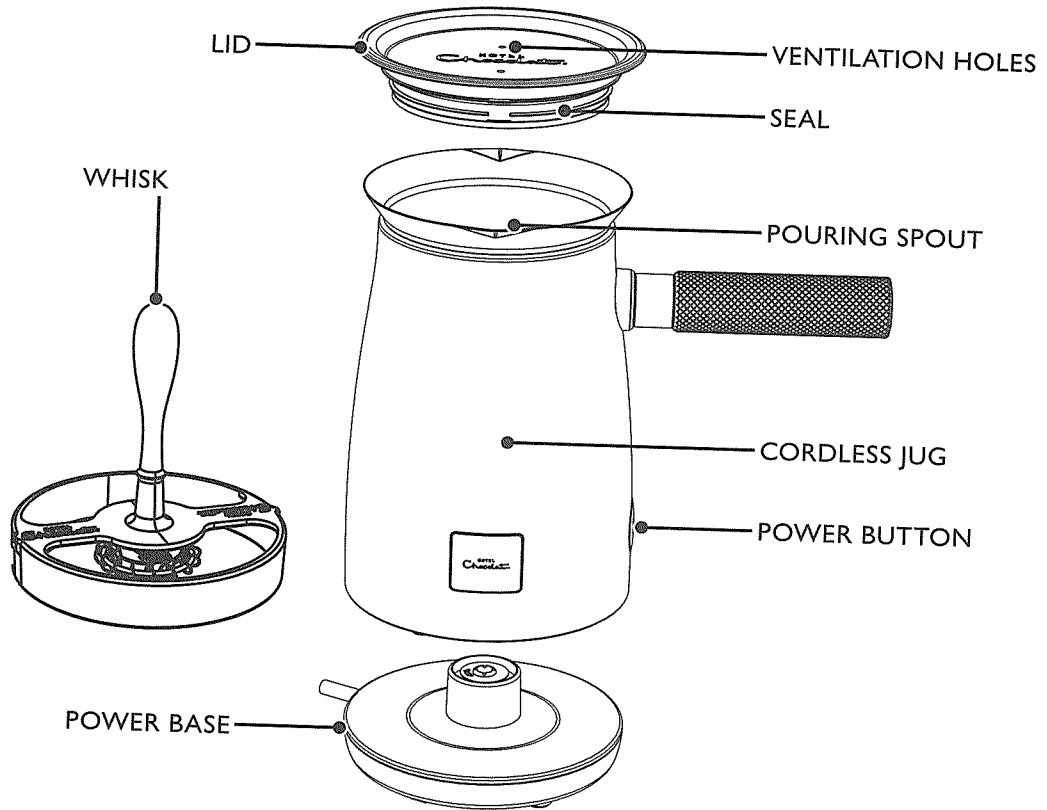
VELVETISER

Drinking chocolate system

INSTRUCTION MANUAL

V8 210619

KNOW YOUR VELVETISER





IMPORTANT SAFETY PRECAUTIONS



When using electrical appliances, basic safety precautions should always be followed, including the following:

READ ALL INSTRUCTIONS

READ ALL INSTRUCTIONS BEFORE USING THE VELVETISER™

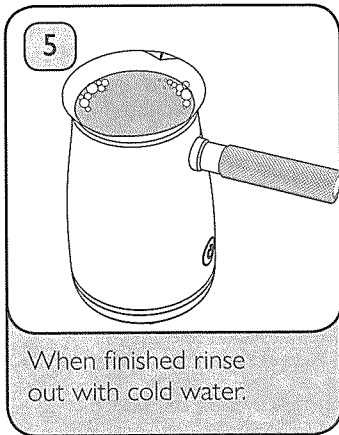
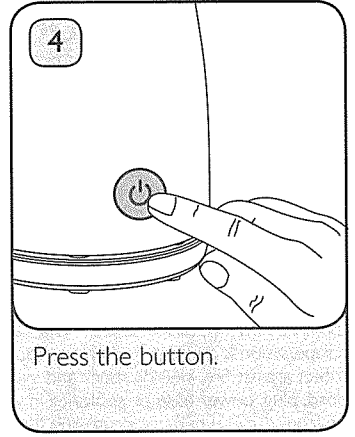
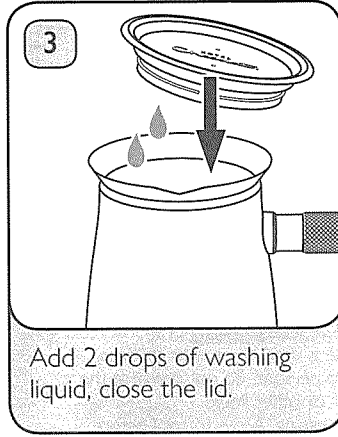
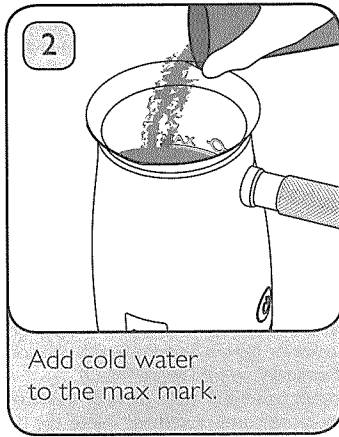
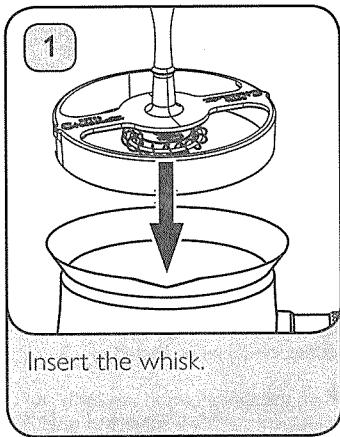
- THIS IS AN ATTENDED APPLIANCE.
Do not leave unattended during use, unplug after each use.
- WARNING: This appliance must be earthed.
- CAUTION: To prevent damage to the Velvetiser do not use alkaline cleaning agents when cleaning, use a soft cloth and a mild detergent.
- CAUTION: Do not operate this appliance on an inclined plane. Do not operate the Velvetiser with no liquid in the jug. Do not move while the Velvetiser is switched on.
- CAUTION: In order to avoid a hazard due to inadvertent resetting of the thermal cut-out, this appliance must not be supplied through an external switching device, such as a timer, or connected to a circuit that is regularly switched on and off by the utility.
- The appliance must not be immersed in water or other liquids. Danger of short-circuiting!
- Close supervision is necessary when any appliance is used by or near children.
- To protect against fire, electric shock and injury to persons, do not immerse the main lead, plug, power base or appliance in water or other liquid.
- Unplug from outlet when not in use and before cleaning. Allow to cool before putting on or taking off parts, and before cleaning the appliance.
- The use of accessory attachments is not recommended by the appliance manufacturer and may result in fire, electric shock or injury to persons.
- Do not let cord hang over edge of table or counter, or touch hot surfaces.
- Do not place on or near a hot gas or electric burner, or in a heated oven.
- Always attach plug to appliances first, then plug cord into the wall outlet.
To disconnect turn any control to "off", then remove plug from wall outlet.
- This appliance shall not be used by children. Keep the appliance and its cord out of reach of children. Appliances can be used by persons with reduced physical, sensory or mental capabilities or lack of experience and knowledge if they have been given supervision or instruction concerning use of the appliance in a safe way and understand the hazards involved.
- Children shall not play with the appliance.
- Scalding may occur if the lid is removed during the brewing cycles.
- Switch off the appliance and disconnect from supply if it is left unattended and before assembling, disassembling, changing accessories, cleaning or approaching parts that move in use.
- Allow to cool before cleaning.
- The Velvetiser conforms to directive 89/336 EEC regarding electro-magnetic compatibility (for EU Market).

- Do not operate any appliance with a damaged cord or plug or after the appliance malfunctions, or has been damaged in any manner. If the supply cord is damaged it must be replaced by Hotel Chocolat Ltd, its service agent or similarly qualified person in order to avoid a hazard. Return appliance to the nearest authorised service facility for examination, repair or adjustment.
- The Velvetiser must only be used in conjunction with the base unit and whisk provided.
- Do not use outdoors. Household use only.
- Do not let the mains cable hang loose, nor remove plug with wet hands nor lay or hang on hot surfaces, nor let it come into contact with oils.
- Do not use appliance for other than intended use to avoid a potential injury.
- Operate appliance only through a professionally installed socket supplying the correct voltage.
- We recommend that the Velvetiser is plugged into a socket that has no other appliance connected to it. Failure to do this may cause an overload, trip a circuit breaker or blow a fuse. Preferably the socket outlet should be protected by a Residual Current Device (RCD).
- Do not touch the metal parts or its housing when the appliance is in use, as this may cause burns or scalding. Note: the heating element surface is subject to residual heat after use. Use handles or knobs.
- Never touch rotating parts. Risk of injury!
- By exceeding the max fill capacity the Velvetiser may overflow.
- Avoid spillage on the connector.
- Use only fire blankets to extinguish fires on appliances.
- The Velvetiser is designed to heat and "Velvetise" drinking chocolate.
Please use in accordance with instructions provided.
- Never use the plug without the fuse cover fitted. Ensure replacement fuse is the same current value as the original (for UK Market).
- Not suitable for commercial use, for domestic use only.
- Replacement fuses should be ASTA approved to BS 1362 (for UK Market).

SAVE THESE INSTRUCTIONS

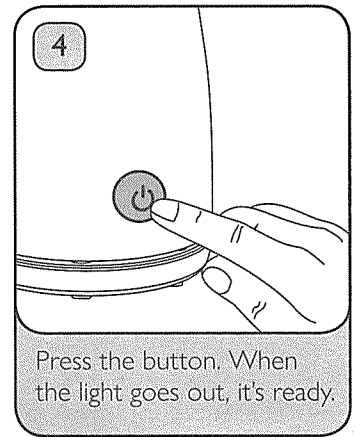
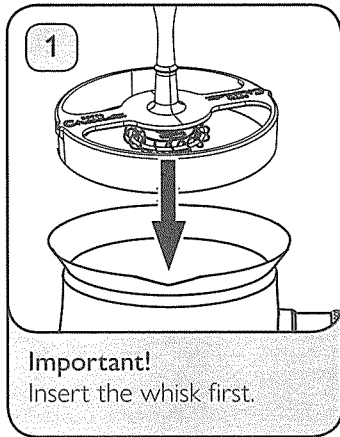
- A short power-supply cord should be used to reduce the risk resulting from becoming entangled in or tripping over a longer cord. Extension cords are available and may be used if care is exercised in their use. If extension cord is used:
- The marked electrical rating of the cord set or extension cord should be at least as great as the electrical rating of the appliance.
- The cord should be arranged so that it will not drape over the counter top or tabletop where it can be pulled on by children or tripped over unintentionally.
- If the appliance is of the grounded type, the extension cord should be a grounding-type 3-wire cord anywhere inside.

GETTING STARTED - YOUR FIRST CLEAN



Please use this as your regular cleaning cycle for your Velvetiser.

GETTING STARTED - YOUR FIRST HOT CHOCOLAT



TOP TIPS VIDEO

Go to hotelchocolat.com/velvetiserFAQ



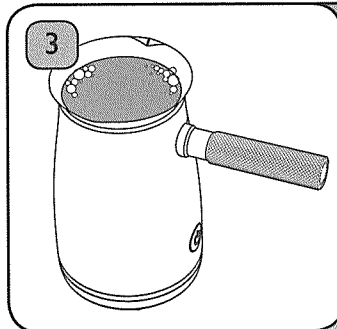
THREE THINGS TO KNOW



1 Do not immerse.



2 Use nothing abrasive inside to protect the non-stick finish. A soft cloth is best.

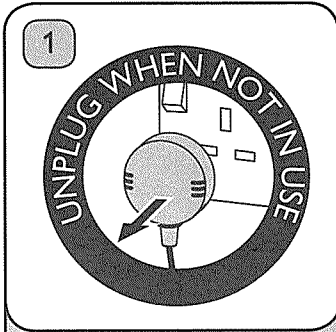


3 When making successive batches, rinse the inside chamber each time with cold water between the batches.

This resets the temperature thermostat, ensuring a perfect result.

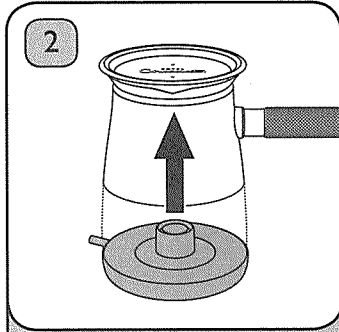
CLEANING & CARE

Any other servicing should be performed by authorised service representative.



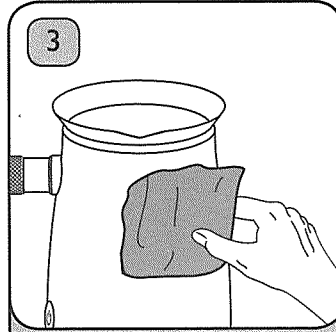
1 Unplug and Cool

Unplug the Velvetiser before cleaning or maintaining.



2 Remove Jug

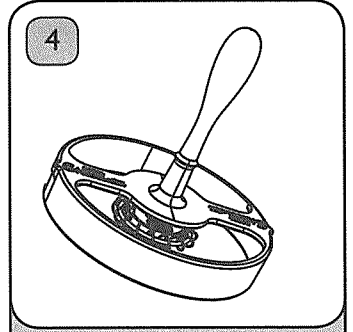
Remove the jug from the powerbase.



3 The Jug

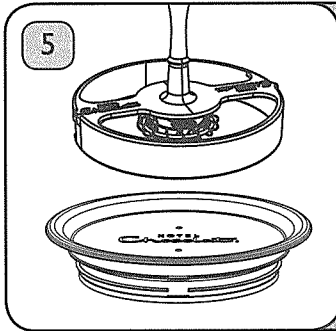
Use soft cloths only on the inside and outside. Nothing abrasive.

Do not immerse the jug or power base in water.



4 The Whisk

The easiest way to keep the whisk clean is to follow the instructions given for 'Your First Clean' on a previous page.



5

Whisk and Lid (only) are also suitable for dishwasher use.

Use a wash cycle below 40°C and place on the top shelf.

Remove prior to drying cycle. Ensure the ventilation holes on the lid are unblocked and the seal is clean.

INSTRUCTIONS ON ENVIRONMENTAL PROTECTION

Do not dispose of this product in the usual household garbage at the end of its life. Please take it to a collection point for recycling of electrical and electronic appliances. The symbol on the product, the instruction of use or the packaging will inform you about the methods of disposal.



The materials are recyclable as mentioned on it's marking. By recycling, material recycling or other forms of re-utilisation of old appliances you are making an important contribution to protect our environment. Please enquire at the community administration for the authorised disposal location.



OUR 100% HAPPINESS GUARANTEE

**IF YOU'RE NOT 100% HAPPY WITH YOUR VELVETISER,
WE GUARANTEE TO IMMEDIATELY PUT IT RIGHT FOR YOU
- REFUNDING OR REPLACING AS APPROPRIATE.**

Just contact our Customer Service team and we'll be happy to help;
Telephone: 03444 932323 (UK), 1 800 969 1649 (USA). Email: velvetiserhelp@hotelchocolat.com