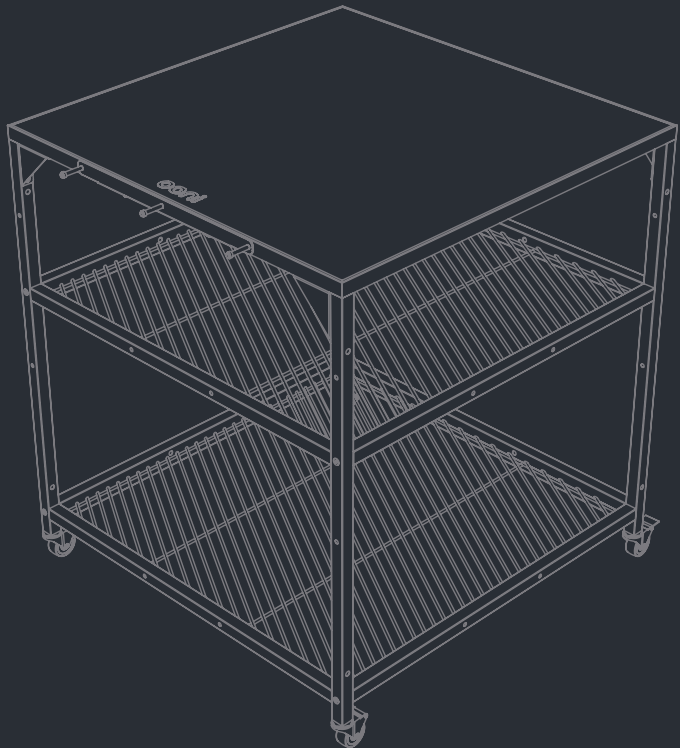




Modular Table - Large

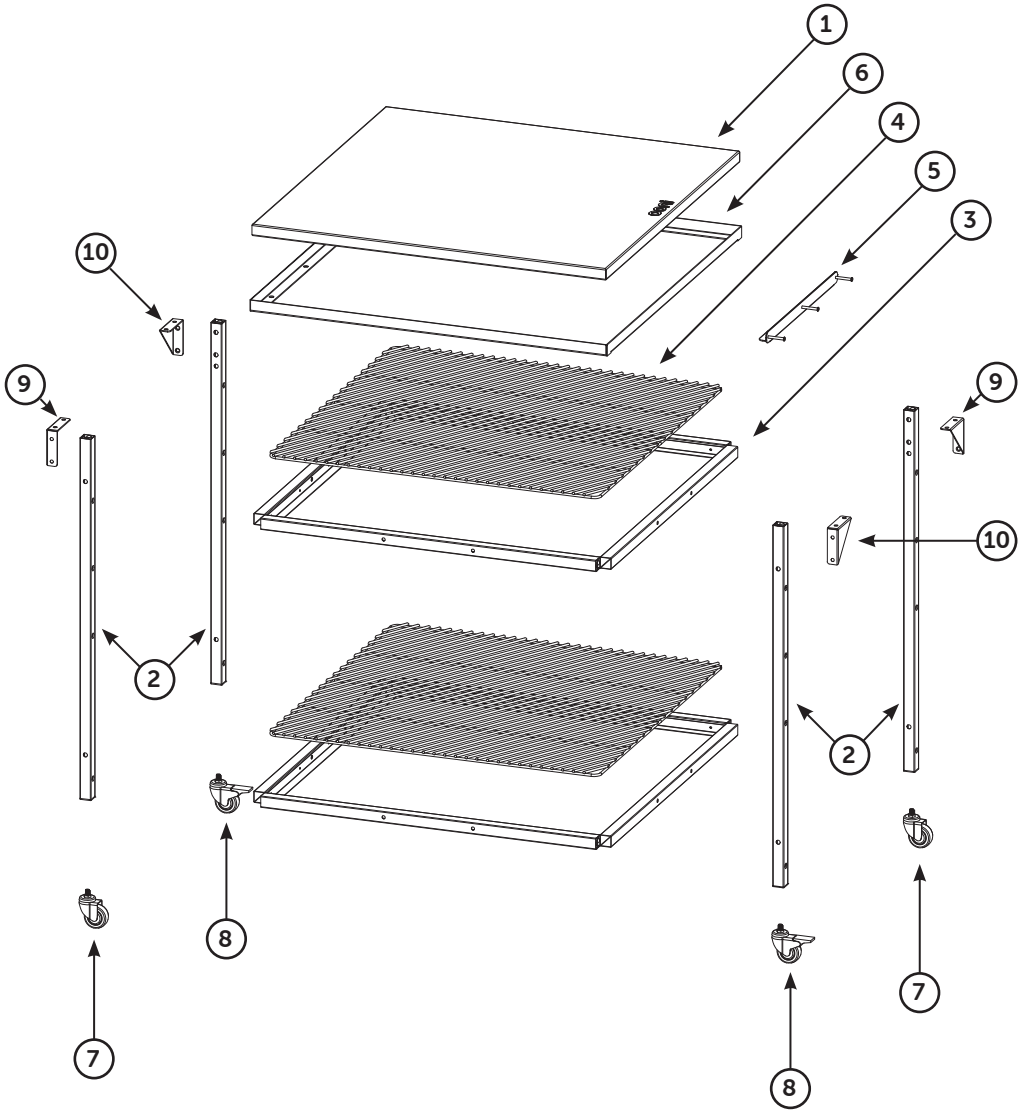
31.5 x 31.5" / 80 x 80 cm



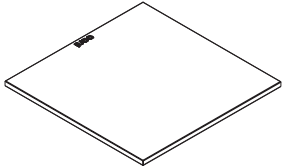

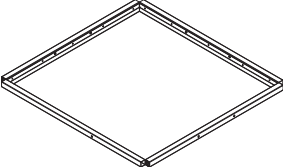
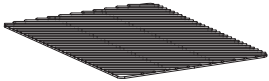
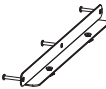
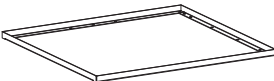



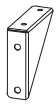


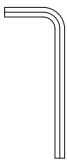
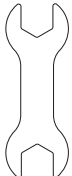



[ooni.com](https://www.ooni.com)

Part numbers



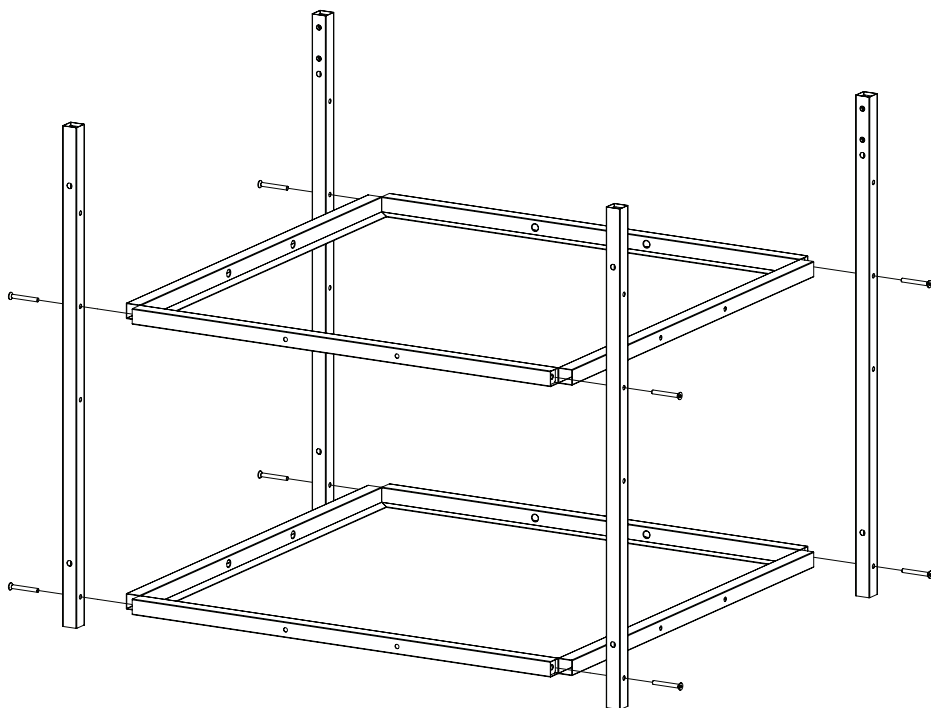
Part list

<p>① x1</p> 	<p>② x4</p> 	<p>③ x2</p> 	
<p>④ x2</p> 	<p>⑤ x1</p> 	<p>⑥ x1</p> 	
<p>⑦ x2</p> 	<p>⑧ x2</p> 	<p>⑨ x2</p> 	<p>⑩ x2</p> 
<p>Ⓐ x2</p> 	<p>Ⓒ x8</p> 	<p>Ⓓ x1</p> 	<p>Ⓔ x1</p> 
<p>Ⓑ x22</p> 			

Step 1



Ⓢ x8

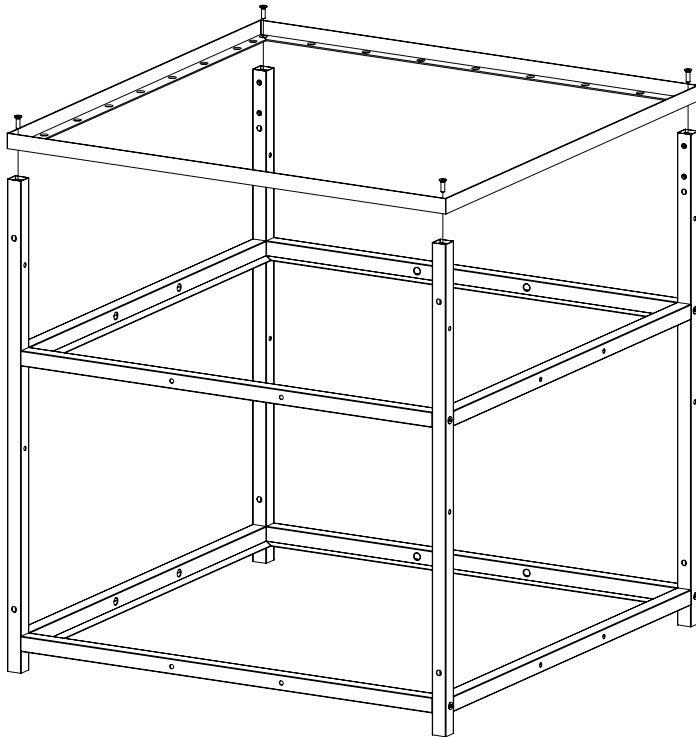


Tighten to 50%
DO NOT over tighten bolts

Step 2




B x4

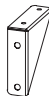


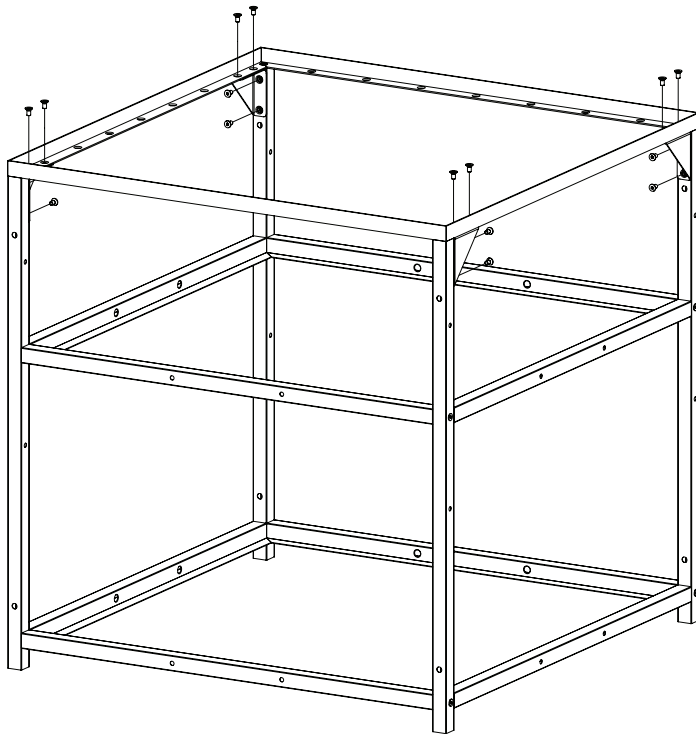
Tighten to 50%
DO NOT over tighten bolts

Step 3

 **B** x16

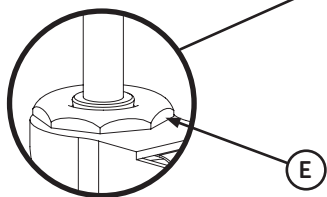
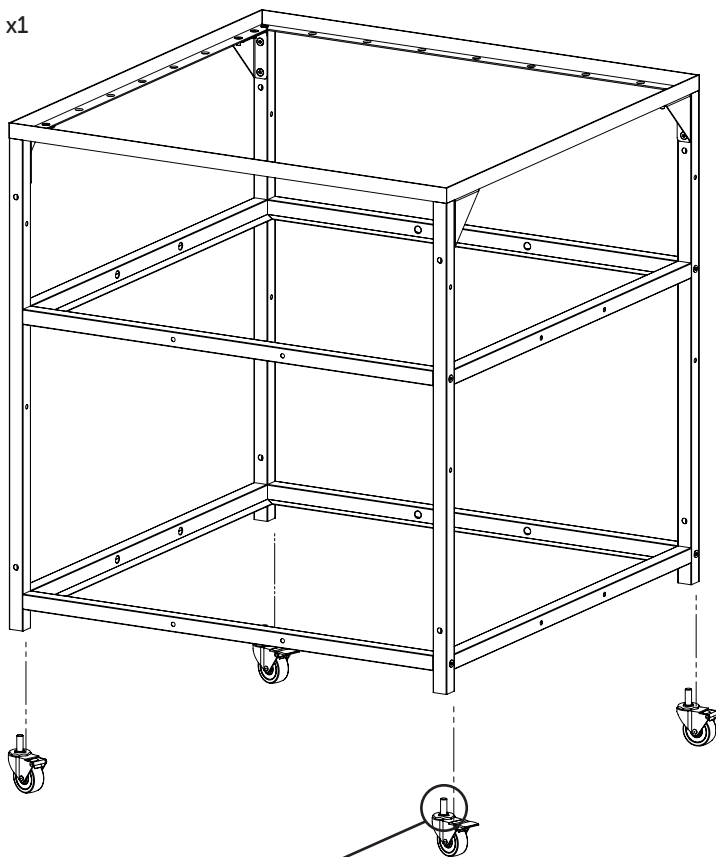
 **9** x2

 **10** x2



Tighten to 50%
DO NOT over tighten bolts

Step 4

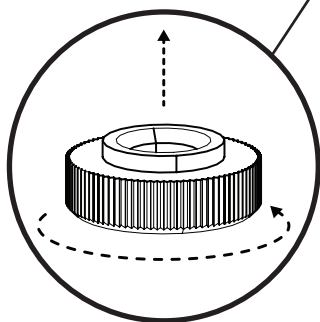
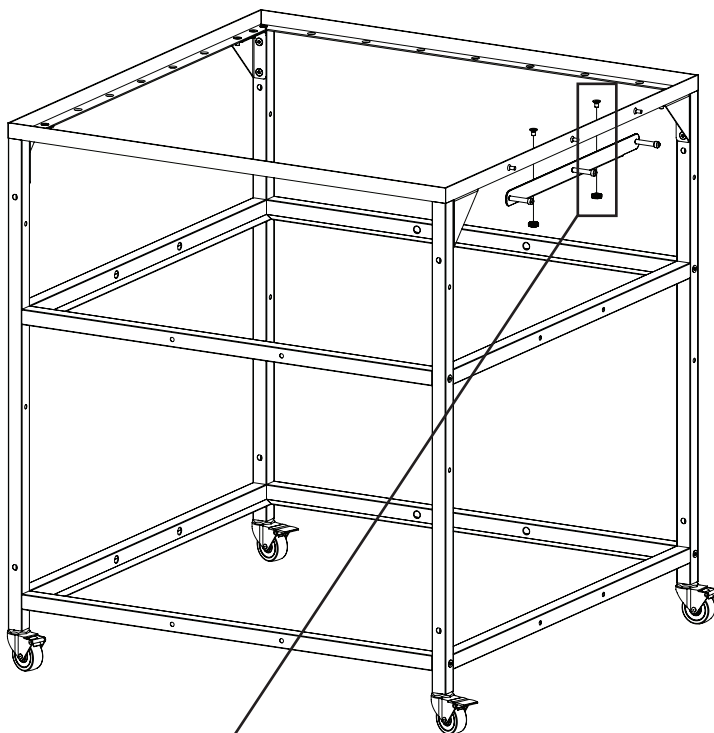


Tighten all bolts 100%
DO NOT over tighten bolts

Step 5

 (A) x2

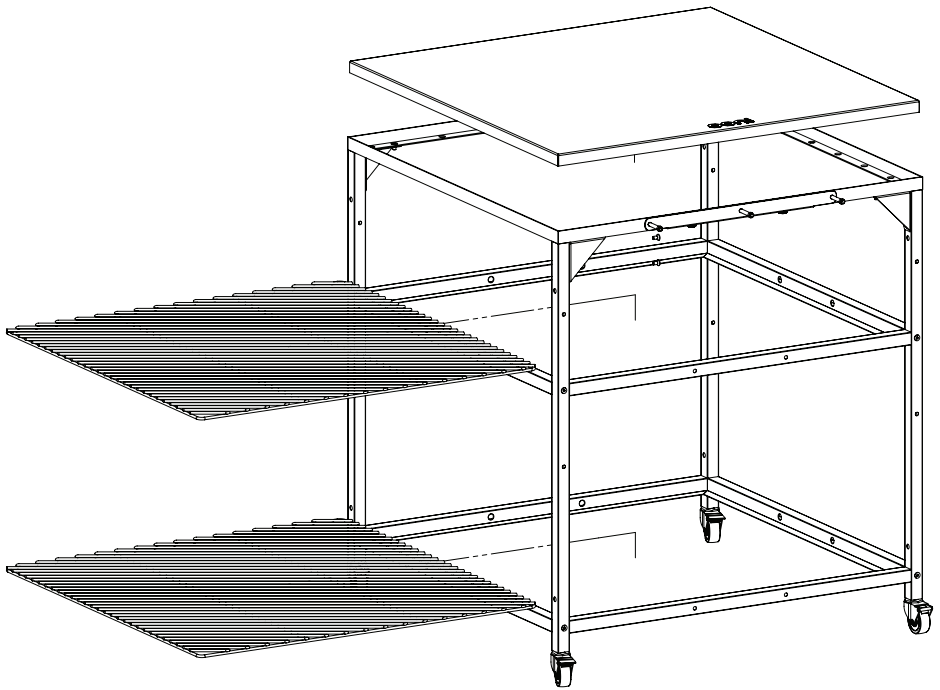
 (B) x2



 100%

Tighten all bolts 100%
DO NOT over tighten bolts

Step 6



ooni.com
© 2021 Ooni

Ooni is a registered trademark of Ooni Ltd.
All rights reserved.