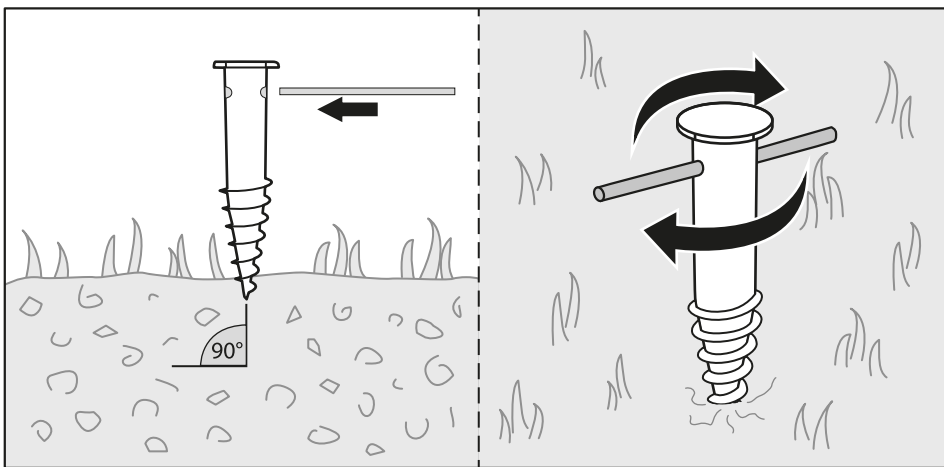
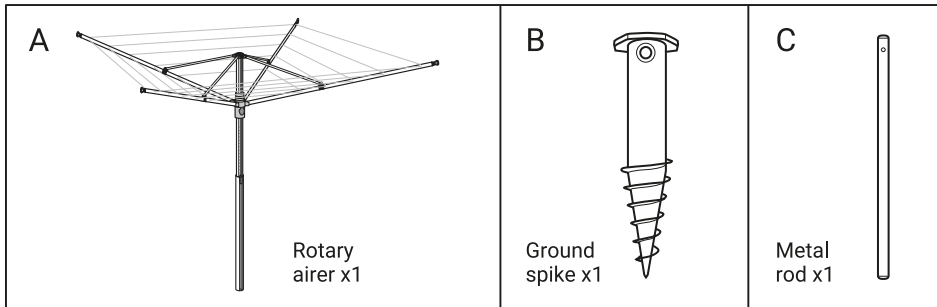


LAKELAND

40m ROTARY AIRER WITH GROUND SPIKE

Included in the pack



Directions for Use

- Carefully remove all packaging.
- Establish a suitable location for the ailer. Please ensure there is enough room for it to rotate freely when fully open, approximately 2.87 metres diameter.
- To install the ground spike, pour a bucket of water on to the location area for the ground spike, to soften the ground. Make a initial hole in the ground to get the ground spike in.
- With the ground spike at 90° to the ground and the lid of the ground spike open, place the metal rod through the two holes just below the lid. Carefully start to screw the ground spike into the ground, keeping an eye on the level bubble to make sure it is vertical and level. Once finished it will sit slightly proud of the soil.

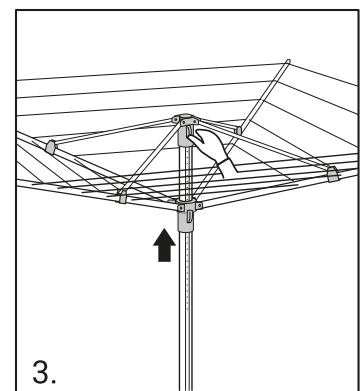
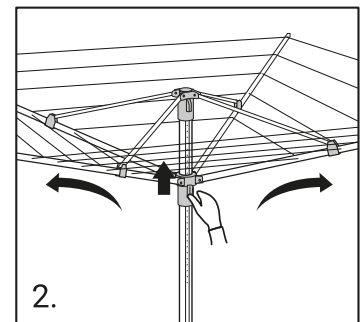
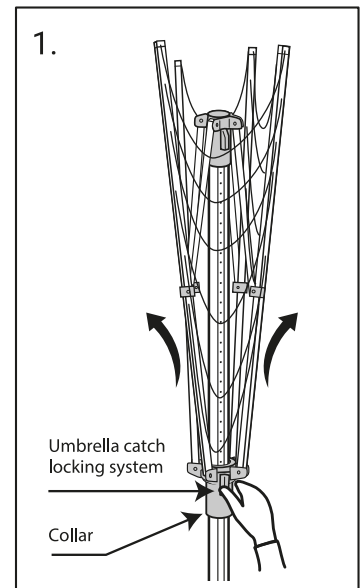
Caution: If removing the ailer be careful not to trip over the ground spike as it stands proud out of the ground by 5cm. When mowing the lawn, strim around it, making sure the lid is closed so it doesn't get full of debris and grass cuttings.

Putting Your Ailer Up

1. Remove the black protective cap off the end of the ailer central pole. Insert the bottom of the ailer, into the top of the ground spike.
2. To open the arms of the ailer press the umbrella catch on the lower central collar and slide the collar up the central pole.
3. Continue sliding the arms up the central pole holding the central collar, being careful to avoid either the arms or washing line as it opens. When you get to the desired height release the umbrella catch and make sure it is located in one of the lock holes.
4. The height and tension of the ailer can be adjusted by pressing the upper umbrella catch and then sliding the upper collar upwards until the desired height is reached. Higher or lower as desired.
5. Make sure the umbrella catch engages in one of the lock holes in the central pole.

Putting Your Ailer Down

1. Press the lower umbrella catch on the central pole of the ailer.
2. Carefully slide the arms down the pole.



Lakeland, Alexandra Buildings, Windermere, Cumbria LA23 1BQ

Call us on 015394 88100, email us at info@lakeland.co.uk Visit us at lakeland.co.uk