

DRY:SOON™

AIRER COVER WITH HEATER
INSTRUCTION BOOKLET



Model: 53432

LAKELAND innovation

DRY:SOON AIRER COVER WITH HEATER

Thank you for choosing the Lakeland Dry:Soon Aired Cover with Heater.

Please take a little time to read this booklet before getting started and keep it in a safe place for future reference.

This Dry:Soon Aired Cover with Heater is the ideal solution for drying your laundry whatever the weather. It works by circulating warm air at 65°C, around damp clothes, to dry them quickly and efficiently, allowing clothes to be kept straight, ironing time is reduced too.

Here at Lakeland, our award-winning family-owned business still offers the same excellent quality, value for money and exceptional customer service as when we founded the company back in the 1960s.

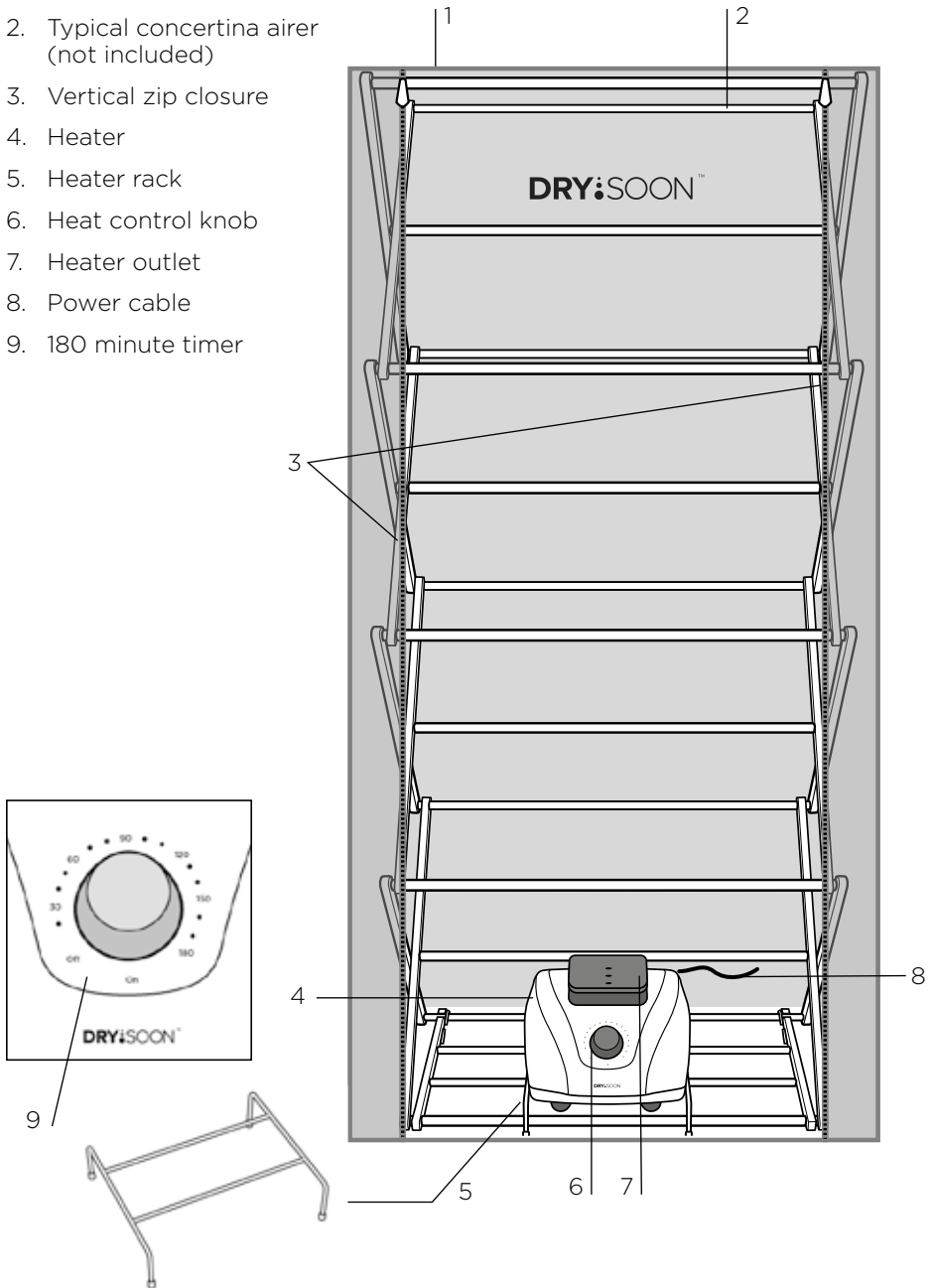
Our products are hand-picked and thoroughly tested so you can be sure that everything you purchase will be a pleasure to use for many years to come.

CONTENTS

Product features.....	3
Safety precautions	4-5
Setting up your Dry:Soon Aired Cover with Heater for the first time.....	6-7
Instructions for use	8
Frequently asked questions.....	9
Care and storing your Dry:Soon Aired Cover with Heater	10
Technical information.....	11
Electrical connections.....	11
Recycling your electricals	11

PRODUCT FEATURES



1. Outer cover
2. Typical concertina ailer (not included)
3. Vertical zip closure
4. Heater
5. Heater rack
6. Heat control knob
7. Heater outlet
8. Power cable
9. 180 minute timer



SAFETY PRECAUTIONS

Carefully read all the instructions before using the appliance and keep in a safe place for future reference. Always follow these safety precautions when using the appliance to avoid personal injury or damage to the appliance. This appliance should be used only as described in this instruction book.

- This appliance can be used by children aged from 8 years and above and persons with reduced physical, sensory or mental capabilities or lack of experience and knowledge if they have been given supervision or instruction concerning use of the appliance in a safe way and understand the hazards involved. Children shall not play with the appliance. Cleaning and user maintenance shall not be done by children unless they are older than 8 and supervised.
- Make sure your electricity supply matches the voltage shown on the appliance.
- Ensure all packaging materials and any promotional labels or stickers are removed from the appliance before the first use.
- Always inspect the appliance before use for noticeable signs of damage. **DO NOT** use if damaged or has been dropped. In the event of damage, or if the appliance develops a fault contact the Lakeland Customer Services team on 015394 88100 or info@lakeland.co.uk
- Always use the appliance on a dry, level, heat resistant surface.
- Unplug from the mains when not in use. To disconnect, turn the socket to “off” and remove the plug from the mains socket.
- **DO NOT** use any accessories or attachments with this appliance other than those recommended by Lakeland.
- To protect against fire, electric shock or personal injury, **DO NOT** immerse cord, plug or lid in water or other liquids.
- Avoid contact between the lead and hot surfaces. Keep the appliance plug and lead away from ovens, electric and gas burners, flames and water sources.
- For indoor use only.
- For domestic use only.
- This appliance should be used for airing clothes as described within the instructions for use that accompany it.

- Always ensure that your hands are dry before removing the plug from the mains socket. Never pull the plug out of the mains socket by its lead or carry the appliance by its lead.
- **DO NOT** allow the lead to be compressed or curled, or touch sharp edges.
- Not recommended to be used with a plug-in timer switch.
- An extension cable may be used with care. The electrical rating of the cable should be at least as great as the appliance.
-  **WARNING:** A cut off plug inserted into a socket is a serious safety (shock) hazard. Ensure the cut off plug is disposed of safely.
- **CAUTION:** The plastic bags used to wrap this appliance or the packaging  may be dangerous. To avoid risk of suffocation, keep these bags out of reach of babies and children. These bags are not toys.
- Always switch off and unplug the Dry:Soon Aired Cover with Heater after use leaving it to cool down completely before storing it away.
- The appliance must be placed on a level, dry surface at least 0.5 metres away from heat or water sources.
- Ensure your concertina aired cover is folded out securely before loading it with laundry and switching on the Dry:Soon Heater.
- Keep fingers away from folding parts.
- **DO NOT** overload your aired cover, load evenly across the surface to avoid the concertina aired cover tipping over.
- Clothes should be spin-dried in your washing machine or well-wrung by hand before being placed on the concertina aired cover.
- The heater outlet will get extremely hot when in use. To prevent burns, keep your hands well away from the heater outlet and **DO NOT** switch on the Dry:Soon Heater until the outer cover is zipped into place. Let the fan cool completely before storing away or cleaning the heater unit.
- Never insert any object into the heater outlet vents. Check regularly for blockages, the airflow should be kept clear.
- Never use the Dry:Soon Heater without the outer cover in place.
- **DO NOT** allow children to play with the aired cover.

SETTING UP YOUR DRY:SOON AIRER COVER WITH HEATER FOR THE FIRST TIME



1. Carefully unpack the Dry:Soon Airer Cover and Heater and remove all the packaging.

Put up your concertina airer.

PLEASE NOTE: Keep your fingers away from the folding joint arms.

Place the heater rack at the bottom of your concertina airer, positioned in the middle.



2. Locate the grooves on the underside of the heater on to the rack to hold in place.



3. Extend the cord and plug out and plug into the wall socket.



4. Place the outer cover over the concertina airer. The cover fits most concertina airers up to a width of 62cm (24½"), depth of 53cm (21") and height of 141cm (55½").
5. Your Dry:Soon Airer Cover with Heater is now ready to use.

INSTRUCTIONS FOR USE

The Dry:Soon Aired Cover with Heater gets clothes dry whatever the weather by circulating warm air (up to 65°C) around them. The powerful fan is quiet and efficient at drying your laundry. The timer can be set from 10 minutes to 3 hours. The Dry:Soon Heater can also be set to continuously on.

It's also gentler on your clothes than tumble drying. Garments which are placed on coat-hangers, will reduce creasing and the need for ironing. Plastic, wooden and metal hangers are all suitable. There is none of the friction associated with tumble drying.

We highly recommend that laundry is spin-dried in your washing machine first - or that hand-washed items are well-wrung - to help keep drying times to a minimum and prevent excess water dripping onto your floor.

1. Firstly, make sure the Dry:Soon Heater is fully assembled.
2. Placing the rack and the Dry:Soon Heater on a level, dry surface ready for use.
3. Place your laundry onto the concertina aired, spacing out evenly for best results and to avoid the concertina aired tipping over. **DO NOT** exceed the maximum load for your concertina aired.



WARNING: DO NOT touch or cover the heater unit with clothes at any point.

4. Plug-in the heater unit at the mains socket. Set the heater unit to the desired time to run, turning the dial clockwise. Zip the cover closed.

PLEASE NOTE: Clothes will take much longer to dry if the cover is not fully zipped.

5. The fan will start working straight away, filling the outer cover with warm air to dry the clothes. Moist air will escape through the ventilation holes at the top of the outer cover.
6. When the set drying time on the timer has elapsed, the heater unit will automatically shut-off.
7. If you are setting the heater control knob to the 'ON' position to run continuously, remember to check periodically and **DO NOT** run for more than 6 hours.
8. Switch off and unplug at the mains socket, then let everything cool down for a few moments before unzipping the cover and removing the garments. If you are using metal hangers, please take care in case the metal parts of the hangers have become hot.

CAUTION: Keep your hands well away from the heater outlet as it will be extremely hot.

9. Let the Dry:Soon Aired Cover with Heater cool completely before storing it away.

FREQUENTLY ASKED QUESTIONS

Question: Why is my Dry:Soon Aired Cover with Heater not heating up?

Answer: It may not be switched on. Check the Dry:Soon Heater is plugged in and switched on at the socket.

Question: Why are my clothes taking a long time to dry?

Answer: The clothes may be too heavy or thick, not spin-dried or well-wrung.

Make sure that the outer cover is closed properly.

Question: Why has my Dry:Soon Heater stopped suddenly?

Answer: The set drying time may have elapsed.

The heater outlet may be blocked, activating the safety cut-out. Switch off and unplug the Dry:Soon Aired Cover with Heater and let it cool down completely, before clearing any blockages from heater outlet vents and air intake holes on the underside of the heater unit.

CARE AND STORING YOUR DRY:SOON AIRER COVER WITH HEATER

1. The Dry:Soon Airer Cover with Heater is designed to be easily folded or taken apart for compact storage after use. Always switch off, unplug and let the Dry:Soon Airer Cover with Heater cool down completely before folding or taking it apart and storing away.

PLEASE NOTE: Keep your fingers away from the folding joint arms.

2. Check the heater outlet vents and the air intake holes on the heater unit to make sure they are clear of blockages.
3. Check the parts for wear or damage after every few uses.
4. The outer cover is made from polyester, wipe clean with a damp cloth.
5. Never immerse the heater unit in water or any other liquid.
6. Store the Dry:Soon Airer Cover with Heater with the power cable loosely coiled. Never wrap it tightly around the appliance.

TECHNICAL INFORMATION

- Power: 900-1000W.
- Voltage: 220-240V-.
- Frequency: 50-60Hz.
- Weight of product: 1.8kg.

ELECTRICAL CONNECTIONS

CHANGING THE 7 AMP FUSE

Use a 7 amp BS1362 fuse. Only BSI or ASTA approved fuses should be used. If you are unsure which plug or fuse to use, always refer to a qualified electrician.

Note: After replacing or changing a fuse on a moulded plug which has a fuse cover, the cover must be refitted to the plug; the appliance must not be used without a fuse cover. If lost, replacement fuse covers can be obtained from an electrical shop.



RECYCLING YOUR ELECTRICALS

The Waste Electrical and Electronic Equipment (WEEE) Directive requires UK distributors to maximise separate collection and environmentally friendly processing of WEEE.

UK distributors (including retailers) are required to provide a system which allows all customers buying new electrical equipment the opportunity to recycle their old items free of charge.

As a responsible retailer, we have met these requirements by offering all customers buying new electrical and electronic equipment free take-back of their old electricals on a like-for-like basis.



Lakeland
Alexandra Buildings, Windermere, Cumbria, UK LA23 1BQ
Tel: +44(O)15394 88100 www.lakeland.co.uk