

# LAKELAND

## MATTRESS VACUUM INSTRUCTION BOOKLET



Model: 46531

# LAKELAND MATTRESS VACUUM

Thank you for choosing the Lakeland Mattress Vacuum.

Please take a little time to read this booklet before getting started and keep it in a safe place for future reference.

The Mattress Vacuum removes dust, dead skin and domestic dust mites, it is suitable for use on mattresses, upholstered furniture and similar items. Being easy-to-use with a washable dust container and filters. With a dust and HEPA filters and a vibration pad mode for effective cleaning.

Here at Lakeland, our award-winning family-owned business still offers the same excellent quality, value for money and exceptional customer service as when we founded the company back in the 1960s.

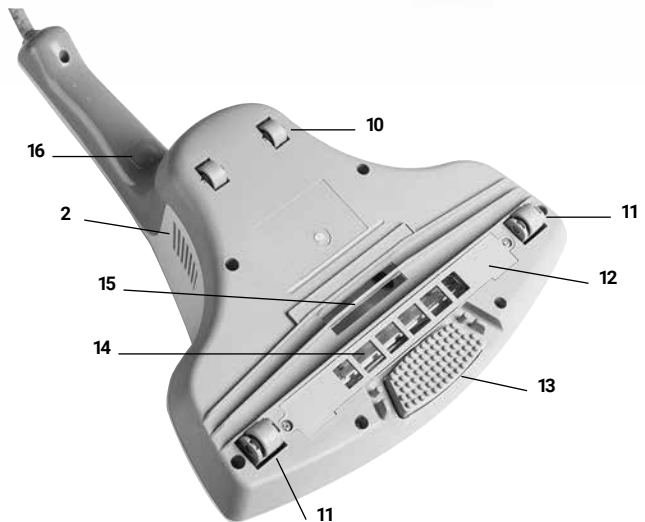
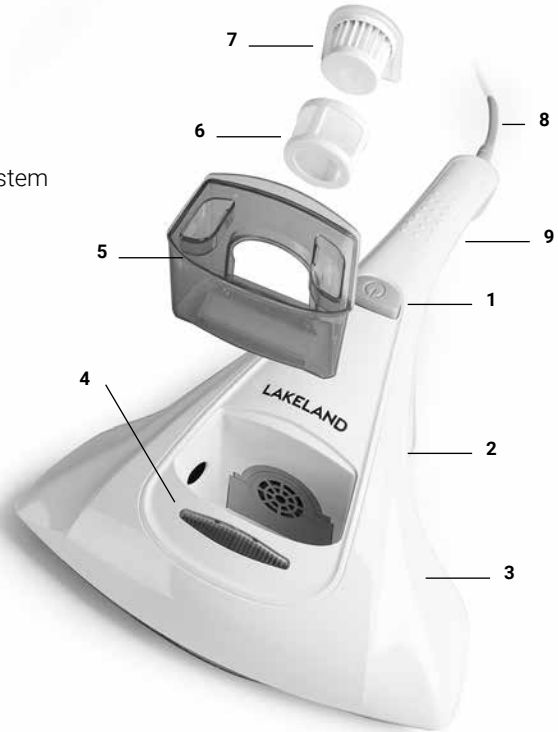
Our products are hand-picked and thoroughly tested so you can be sure that everything you purchase will be a pleasure to use for many years to come.

## CONTENTS

Product features .....	3
Safety precautions .....	4-5
Using your Mattress Vacuum for the first time .....	6
Instructions for use .....	7
Hints and tips .....	7
Frequently asked questions .....	8
Care and cleaning .....	9-10
Technical information .....	11
Electrical connections .....	11
Recycling your electricals .....	11

# PRODUCT FEATURES





1. On/off button
2. Air vent
3. Motor unit
4. Viewing window
5. Dust container with filter system
6. Dust filter
7. HEPA filter
8. Cord and plug
9. Handle
10. Rollers
11. Safety switches (one on left and one right)
12. UV light cover
13. Vibration pad
14. UV lightbulb
15. Suction opening
16. Vibration pad button (under handle)



## SAFETY PRECAUTIONS

Carefully read all the instructions before using the appliance and keep in a safe place for future reference. Always follow these safety precautions when using the appliance to avoid personal injury or damage to the appliance. This appliance should be used only as described in this instruction book.

- This appliance can be used by children aged from 8 years and above and persons with reduced physical, sensory or mental capabilities or lack of experience and knowledge if they have been given supervision or instruction concerning use of the appliance in a safe way and understand the hazards involved. Children shall not play with the appliance. Cleaning and user maintenance shall not be done by children unless they are older than 8 and supervised.
- Make sure your electricity supply matches the voltage shown on the appliance.
- Ensure all packaging materials and any promotional labels or stickers are removed from the appliance before the first use.
- Always inspect the appliance before use for noticeable signs of damage. Do not use if damaged or has been dropped. In the event of damage, or if the appliance develops a fault contact the Lakeland customer care team on 015394 88100 or [info@lakeland.co.uk](mailto:info@lakeland.co.uk)
- Do not use this appliance if the lead is damaged. Contact the Lakeland customer care team on 015394 88100 or [info@lakeland.co.uk](mailto:info@lakeland.co.uk)
- Always use the appliance on a dry surface and not in rooms with a high humidity.
- Unplug from the mains when not in use and before cleaning. To disconnect, turn the socket to "off" and remove the plug from the mains socket.
- Do not use any accessories or attachments with this appliance other than those recommended by Lakeland.
- To protect against fire, electric shock or personal injury, do not immerse cord, plug or lid in water or other liquids.
- Do not leave the lead hanging over the edge of a bed, kitchen table or worktop, where it may be pulled by children, or tripped over.
- For indoor use only and not in bathrooms.
- For domestic use only.
- This appliance should be used for vacuuming as described within the instructions.
- Always ensure that your hands are dry before removing the plug from the mains socket. Never pull the plug out of the mains socket by its lead.
- To avoid injury or possible fire, do not cover the appliance when in use.
- Do not connect this appliance to an external timer or remote control system.

- An earthed extension cable may be used with care. The electrical rating of the cable should be at least as great as the appliance. Do not allow the cable to hang over the edge of the worktop or touch any hot surfaces.
- This appliance complies with the basic requirements of Directives 2014/30/EU (Electromagnetic Compatibility) and 2014/35/EU (Low Voltage Directive).
-  **WARNING!** A cut off plug inserted into a 13 amp socket is a serious safety (shock) hazard. Ensure the cut off plug is disposed of safely.
-  **CAUTION:** The plastic bags used to wrap this appliance or the packaging may be dangerous. To avoid risk of suffocation, keep these bags out of reach of babies and children. These bags are not toys.
-  **WARNING!** Danger of strangulation. Make sure the mains power cable is always out of reach of children.
-  **WARNING!** Danger of injury to eyes and skin. UV rays are harmful to the eyes and skin. Never expose you or other people and animals to direct or reflected UV rays. If you come into contact with the UV rays, consult a doctor immediately.
- Ensure the safety switches are not blocked and can move freely.
- Do not touch the vibrating pad during operation.
- Do not try to lubricate the rollers with lubricant or oil. This will cause the dust and dirt to increasingly adhere to the rollers.
- **NOTE:** A small amount of dust residue in the dust container is possible. This is a result of quality checks during production and does not constitute a defect or used appliance.

# USING YOUR MATTRESS VACUUM FOR THE FIRST TIME

- Unpack the appliance, remove all the packaging materials.
- Unwind the power cord.
- Insert the plug into a wall socket and turn on at the wall.
- When you switch on the vacuum for the first time you may notice a slight burning smell, this is normal for a new appliance and will stop after a few uses.

## INTENDED USE

### **DO NOT use the appliance to suck up the following:**

- Liquids or wet substances (e.g. wet carpet shampoo).
- Glowing ash, cigarette ends, matches and the like.
- Inflammable or explosive substances.
- Very fine dust (e.g. concrete dust), ash, or toner.
- Pointed, hard objects such as large pieces of broken glass.

## SAFETY SWITCHES

- The appliance has two safety switches on the under side of the appliance on the left and right. The UV light only switches on if BOTH safety switches are pressed into the motor unit. The UV light will automatically switch on as the appliance is placed on a flat surface. If the safety switches lose contact with the surface below, the automatic switch off function is activated and the UV light stops working.

## **INSTRUCTIONS FOR USE**

- The appliance should only be used if it has been completely and correctly assembled. The dust container and filters must be inserted and must not be damaged. If the dirt were to get into the motor unit, it could damage the motor.
- Make sure that the safety switches are not blocked and can move freely.
- Always test the appliance first on a small inconspicuous area.
- Insert the plug into a wall socket that is easily accessible.
- Place the appliance down on the flat surface which is to be cleaned.
- Press the on/off button to switch on the appliance. The Mattress Vacuum will start to vacuum and the UV light will switch on, if both of the safety switches are depressed into the motor unit.
- Press the vibration button, underneath the handle to activate the vibrating pad for effective cleaning.
- The vibration pad agitates the surface to be cleaned, making it easier to suck up the dust, dead skin and mites through the suction opening.
- Guide the appliance slowly over the surface to be cleaned.
- After vacuuming, press the on/off button to switch off the appliance.
- Switch off at the wall socket and unplug.
- Always empty the dust container after each use.

## **HINTS AND TIPS**

- Always clean the mattresses on both sides.
- We recommend cleaning new mattresses once a month.
- Older mattresses should initially be cleaned every day for a week. We then recommend cleaning them once a month.

## FREQUENTLY ASKED QUESTIONS

**Question:** Why is the Mattress Vacuum generating no suction?

**Answer:** Check the plug is inserted in the wall socket correctly and switched on. If it is correctly inserted try another socket.  
Check the fuse in the mains plug.  
Check the appliance is switched on by pressing the on/off button.

**Question:** Why has the Mattress Vacuum got low suction?

**Answer:** The dust container maybe too full.  
Check that both filters are not heavily clogged, if they are clogged, remove filters and clean.  
The suction opening maybe blocked. Switch off the appliance and unplug before attempting to remove the blockage.

**Question:** Why does the UV light not light up?

**Answer:** The automatic switch off function of the UV light has been activated.  
Check the safety switches are not blocked and can move freely.  
The automatic switch off function has not been activated; this indicates a defective UV lightbulb or appliance, contact Lakeland customer care team on 015394 88100 or [info@lakeland.co.uk](mailto:info@lakeland.co.uk)

**Question:** Why does the vibration pad not vibrate?

**Answer:** Ensure that the vibration pad has no debris round it.  
The vibrating function can only be activated by pressing the vibration button under the handle.

**Question:** Why during vacuum cleaning is there an unpleasant smell?

**Answer:** When you switch on the vacuum for the first time you may notice a slight burning smell, this is normal for a new appliance and will stop after a few uses.  
Check filters and dust container for blockages and clear.  
If the smell persists or if when used frequently the appliance develops a smell, stop using it, switch off and unplug from the mains socket and contact Lakeland customer care team on 015394 88100 or [info@lakeland.co.uk](mailto:info@lakeland.co.uk)



## CARE AND CLEANING

- Switch off and unplug the vacuum, and let it cool completely before cleaning.
- Clean thoroughly before using for the first time and after every use.
- Check the parts for wear or damage after every few uses.
- Never immerse the appliance in water or any other liquid.
- Empty the dust container each time after you have used the appliance. The filters must also be regularly cleaned in order to prevent overloading of the motor.
- Do not use any sharp or abrasive cleaning agents or cleaning pads to clean the appliance. These can damage the surface.
- As required, wipe down the motor unit with a damp soft cloth. Ensuring it is completely dry before use.
- Store the appliance in a dry, cool place that is not accessible to children and animals.

### EMPTYING THE DUST CONTAINER

- Place your fingers into the recesses on the dust container and pull it up and out of the motor unit.
- Remove the filters out of the dust container.
- Empty the dust container into a bin.
- Wipe out the dust container with a dry cloth if necessary.

### CLEANING THE DUST AND HEPA FILTERS

- Unscrew the dust filter anticlockwise until the arrow on the dust filter points to the open padlock symbol (see picture).
- Detach the dust filter from the HEPA filter.
- Tap out both filters and clean them with a soft brush if necessary.

**PLEASE NOTE: Do not clean the filter with water!**

- Place the dust filter on the HEPA filter.
- Screw on the dust filter clockwise until the arrow on the dust filter points to the closed padlock symbol.
- Insert the filters into the dust container.
- Insert the dust container with filters into the motor unit.



## **CLEANING THE UV LIGHT**

**CAUTION:** Danger of Burns! The UV light will become hot during use.

- Allow the UV light time to cool sufficiently after using the appliance.
- Undo the two screws on the UV light cover and take off.
- Wipe down the lightbulb with a dry duster.

**IMPORTANT:** Make sure you do not touch the UV light with your fingers!

- Place the cover back on and fix it in place with the two screws.

## TECHNICAL INFORMATION

- Power: 300W.
- Voltage: 220-240V~.
- Frequency: 50-60Hz.
- Flex length approx. 400cm. (157½").
- Product weight approx. 1.3kg.

## ELECTRICAL CONNECTIONS

### THIS APPLIANCE MUST BE EARTHED

The appliance is fitted with a fused three-pin plug to BS1363 which is suitable for use in all homes fitted with sockets to current specifications.

### CHANGING THE 3 AMP FUSE

Use a 3 amp BS1362 fuse. Only BSI or ASTA approved fuses should be used. If you are unsure which plug or fuse to use, always refer to a qualified electrician.

**Note:** After replacing or changing a fuse on a moulded plug which has a fuse cover, the cover must be refitted to the plug; the appliance must not be used without a fuse cover. If lost, replacement fuse covers can be obtained from an electrical shop. This appliance complies with the following EU Directives: 2014/35/EU (Low Voltage Directive) and 2014/30/EU (EMC Directive).



## RECYCLING YOUR ELECTRICALS

The UV lightbulb should be removed prior to disposal of the appliance and disposed of separately, see Care and Cleaning for guidance on removing the UV lightbulb.

The Waste Electrical and Electronic Equipment (WEEE) Directive requires UK distributors to maximise separate collection and environmentally friendly processing of WEEE.

UK distributors (including retailers) are required to provide a system which allows all customers buying new electrical equipment the opportunity to recycle their old items free of charge.

As a responsible retailer, we have met these requirements by offering all customers buying new electrical and electronic equipment free take-back of their old electricals on a like-for-like basis.



**Lakeland**  
Alexandra Buildings, Windermere, Cumbria, UK LA23 1BQ  
Tel: +44(0)15394 88100 [lakeland.co.uk](http://lakeland.co.uk)