

# LAKELAND

## Bamboo Battery Free Scale

Thank you for choosing the Lakeland Bamboo Battery Free Scale.

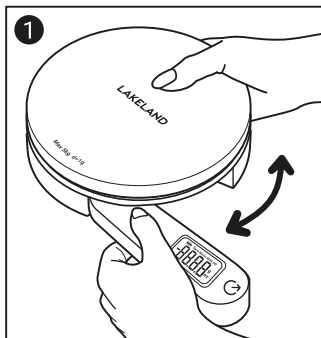
This battery free, self-powered - 'open, close, open' motion charge scale is equipped with a high precision, strain-gauge sensor system and has an easy-to-read LCD display.

### SAFETY PRECAUTIONS

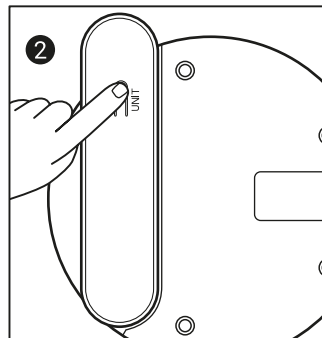
Carefully read all the instructions before using the scale and keep in a safe place for future reference. Always follow these safety precautions when using the scale to avoid personal injury or damage to the appliance. The scale should be used only as described on this instruction sheet.


- This scale is for household use only. It is not suitable for commercial or professional use. The scale must only be used for its intended purpose of food ingredients.
- Place the scale on a solid, level surface.
- Treat the scale with care; it is a precision instrument. Do not drop it.
- Take care not to spill water or any liquid on the scale as this may damage the electronics. Never immerse the scale in water and do not use scourers or chemical/abrasive cleaners.
- Never attempt to take the scale apart or open it up. If the scale shows any sign of damage or is working incorrectly, call the helpline on 015394 88100 or [info@lakeland.co.uk](mailto:info@lakeland.co.uk) to arrange a repair by an authorised repairer, or a replacement. Never try to repair the scale yourself.
- Do not put the scale under wet, frozen or heated conditions.
- Do not overload or put heavy items on the scale, otherwise the sensor will be damaged.
- Do not store the scale attached to an appliance which generates heat, i.e. toaster or oven.

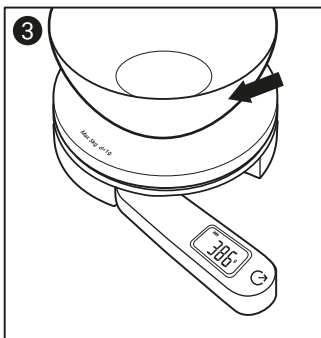
### INSTRUCTIONS FOR USE



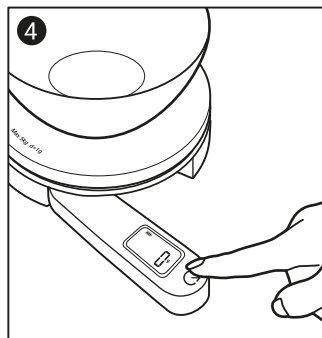
'Open, close, open' the arm several times in order to generate power ready for using the scale.




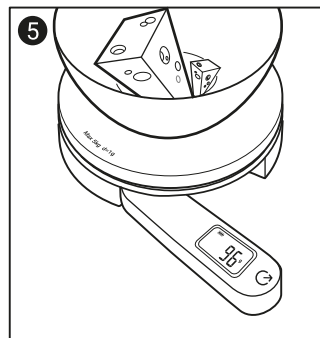
Press the 'UNIT' button on the base to choose the 'unit' you require before weighing, in units of g, oz, water-ml and milk-ml, be careful not to put your finger on the  (TARE function) otherwise you will not be able to change the units.

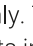



Place the scales on a firm, flat surface. Then put a bowl on the platform. The LCD display will show the weight of the bowl.



Touch the  (TARE function) to clear the weight of the bowl (reset to '0').



Put the food into the bowl, the LCD display will show the food weight only. Touch the  (TARE function) to weigh other ingredients in the same bowl. When the bowl is removed from the scale, the screen will display a negative value. Touch the  (TARE function) again and after 2 seconds the display will show a zero value.

## SPECIFICATIONS

Capacity: Min. 5g/0.15oz/5ml Max. 5000g/176oz/5000ml

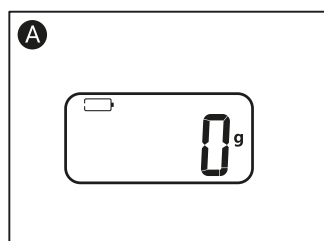
Unit	Minimum Weight	Maximum Weight	Increments of
<b>g</b>	5g	5000g (5kg)	1g
<b>oz</b>	0.15oz	176oz (11lbs)	0.05oz
<b>L</b>	5ml	5000ml (5L)	1ml

## CARE AND CLEANING

To clean the scale, wipe it with a slightly damp cloth, then buff with a soft, dry cloth. Never immerse the scale in water or liquid, and do not use chemical/abrasive cleaners or scourers as they will damage the finish.

**Caution:** Never attempt to take the scale apart or open it up.

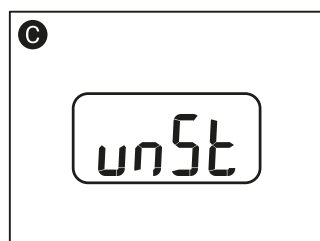
## TROUBLESHOOTING



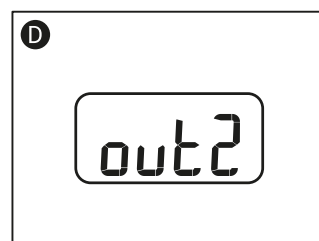
When the screen indicates an empty battery symbol it will turn off after a few seconds. Open, close, open the arms a couple of times to recharge.



If the screen says 'EEEE' – the scale is overloaded. Remove food or bowl immediately to avoid permanent damage. The maximum capacity is 5000g/176oz.



Unstable. Please make sure the scale is placed on flat and hard surface.



The initial starting weight exceeds 0g, remove weight and let the scale register.

**Warning:** Keep away from small children. This product contains small magnetic parts that if swallowed could stick together and cause serious injuries. Seek immediate medical attention if magnet(s) are swallowed.



## RECYCLING YOUR ELECTRICALS

The Waste Electrical and Electronic Equipment (WEEE) Directive requires UK distributors to maximise separate collection and environmentally friendly processing of WEEE.

UK distributors (including retailers) are required to provide a system which allows all customers buying new electrical equipment the opportunity to recycle their old items free of charge.

As a responsible retailer, we have met these requirements by offering all customers buying new electrical and electronic equipment free take-back of their old electricals on a like-for-like basis.

Lakeland, Alexandra Buildings, Windermere, Cumbria LA23 1BQ

Call us on **015394 88100**, email us at [info@lakeland.co.uk](mailto:info@lakeland.co.uk) Visit us at [lakeland.co.uk](http://lakeland.co.uk)