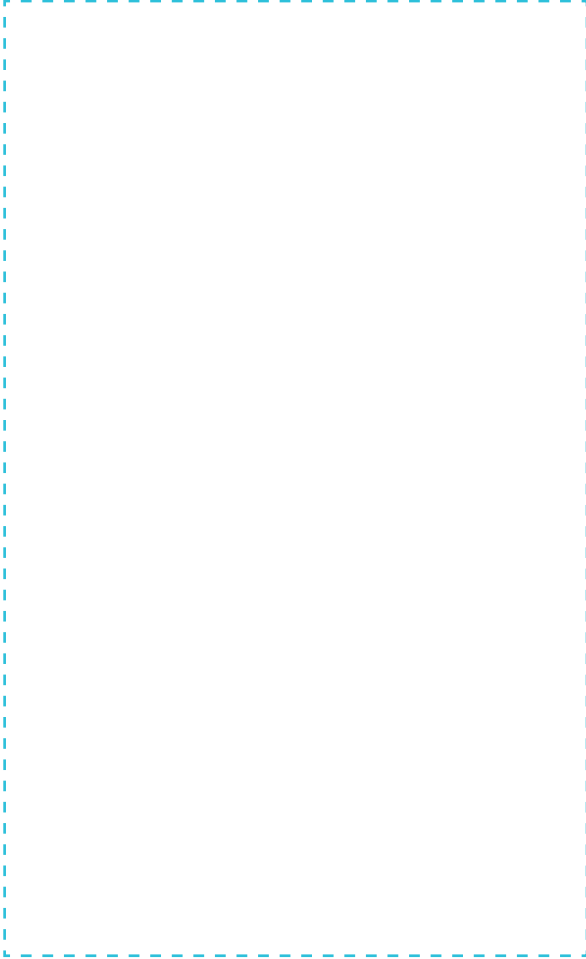
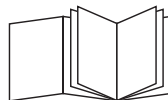

CTA Series

TOASTER
GRILLE-PAIN

إرشادات الاستعمال



DeLonghi



ELECTRICAL CONNECTION (UK ONLY)

- A) If your appliance comes fitted with a plug, it will incorporate a 13 Amp fuse. If it does not fit your socket, the plug should be cut off from the mains lead, and an appropriate plug fitted, as below. **WARNING:** Very carefully dispose of the cut off plug after removing the fuse: do not insert in a 13 Amp socket elsewhere in the house as this could cause a shock hazard. With alternative plugs not incorporating a fuse, the circuit must be protected by a 15 Amp fuse. If the plug is a moulded-on type, the fuse cover must be re-fitted when changing the fuse using a 13 Amp Asta approved fuse to BS 1362. In the event of losing the fuse cover, the plug must NOT be used until a replacement fuse cover can be obtained from your nearest electrical dealer. The colour of the correct replacement fuse cover is that as marked on the base of the plug.
- B) If your appliance is not fitted with a plug, please follow the instructions provided below:

WARNING - THIS APPLIANCE MUST BE EARTHED

IMPORTANT

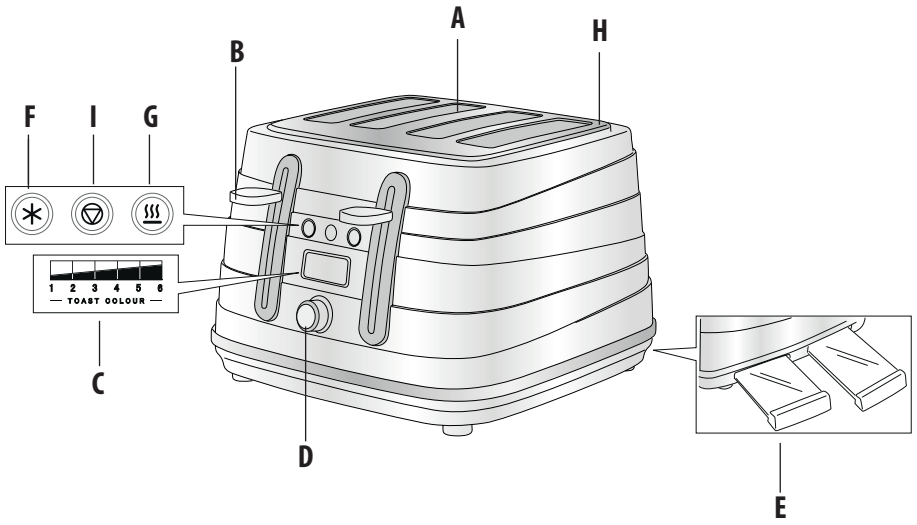
The wires in the mains lead are coloured in accordance with the following code:

Green and yellow:	Earth
Blue:	Neutral
Brown:	Live



As the colours of the wires in the mains lead may not correspond with the coloured markings identifying the terminals in your plug, proceed as follows:

The green and yellow wire must be connected to the terminal in the plug marked with the letter E or the earth symbol \perp or coloured green or green and yellow. The blue wire must be connected to the terminal marked with the letter N or coloured black. The brown wire must be connected to the terminal marked with the letter L or coloured red.



IMPORTANT WARNINGS

Safety warnings



Danger!

Failure to observe the warning may result in life threatening injury by electric shock.

- The appliance is exclusively for the use of toasting bread products. Any other use is to be considered inappropriate and therefore dangerous. The manufacturer cannot be held responsible for eventual damage caused by inappropriate, improper or irresponsible use and/or for repairs made to the product by unauthorised personnel.
- If the supply cord is damaged, it must be replaced by the manufacturer, its service agent or similarly qualified persons in order to avoid a hazard.
- Before inserting the plug into the socket, ensure that: The voltage of the socket corresponds to the value indicated on the information label, attached to the appliance. The electrical socket is earthed. The manufacturer does not accept any liability if this requirement is not observed.
- The use of adapters, multiple socket units and/or extension cables is not recommended.
- To avoid electric shocks, never let the toaster, cord or plug get wet, and NEVER put your hand or anything metal, e.g. a knife or foil, into the toaster.
- Do not touch the appliance with wet or damp hands.
- Do not use the appliance with bare or wet feet.
- Always unplug the toaster when not in use, before cleaning or attempting to clear jammed bread.



Important!

Failure to observe the warning could result in injury or damage to the appliance.

- The appliance is designed and produced for domestic use only. It is not suitable for use in: staff kitchens in shops, offices and other workplaces, farm houses, hotels, motels or other holiday accommodation, guest houses.

- The plastic bag in which the appliance was packaged should be kept out of reach of children as it poses a suffocation hazard.
- This appliance can be used by children aged 8 upwards and by persons with reduced physical, sensory or mental capabilities or who lack of experience and knowledge if they are supervised or have been given instructions concerning use of the appliance in a safe way and understand the hazards involved. Children must not play with the appliance. Cleaning and user maintenance must not be carried out by children unless they are older than 8 and supervised. Keep the appliance and its cord out of the reach of children under 8 years of age.
- Do not unplug the appliance from the outlet by pulling on the cord.
- Do not leave the appliance exposed to the elements, (rain, direct sunlight, frost, etc.).
- Do not immerse the appliance, the plug, or the electrical cable in water.
- This appliance is not intended to be operated by means of an external timer or separate remote-control system.
- As with any electrical appliance, whilst the instructions aim to cover as many eventualities as possible, caution and common sense should be applied when operating your appliance, particularly in the vicinity of young children.
- Details for cleaning refer to cleaning part of user manual.



Danger of burns!!

Failure to observe the warning could result in burns or scalds.

- When the machine is running, the

external surface temperature can be very high.

Always use handles or protective gloves if necessary.

- Bread is a foodstuff which may catch fire. Do not use this appliance under or next to curtains or other combustible material.
- Do not cover the appliance while it is in use, it could overheat and catch fire.
- We recommend that you do not use your toaster directly under wall cupboards.
- Burnt food can catch fire, so never leave your toaster on unattended, and set the browning control lower for thin or dry bread which can burn more easily.
- Never warm food with a topping or filling (e.g. pizza): if it drips into the toaster it could catch fire.
- Clean the crumb tray regularly: crumbs can smoke or burn.

 **Please note:**


This symbol indicates recommendations and important information for the user.

- After removing the appliance from the packaging, make sure that the product is complete and in perfect condition. Ensure all labels and packaging have been removed from the toaster.
- Remove any dust that may have accumulated on the appliance during transit by dusting it off with a soft dry cloth.



This appliance conforms to EC Regulation 1935/2004 on materials and articles intended to come into contact with food.

Disposing of the appliance

 The appliance must not be disposed of with household waste, but taken to an authorised waste separation and recycling centre.

DESCRIPTION

- A** Bread toasting slots
- B** ON lever
- C** Browning control window
- D** Browning control dial
- E** Crumb collection tray
- F** Defrost button

- G** Reheat button
- H** Top plate
- I** Stop/cancel button

USE

- Make sure the lever (**B**) is raised and the knob (**D**) is set for medium level toasting.
- Plug into the mains.
- Before using for the first time, heat up the empty toaster 3 times at max setting.
This will remove possible odours caused by manufacturing processes. Ventilate the room after each cycle.
- Place the slices of bread in the toasting slots (**A**), then lower the lever (**B**) as far as it will go. Do not cook or let the bread directly on the top plate as this part is not intended for cooking purpose.



Please note: if the appliance is not plugged into the mains, the lever (**B**) will not stay down.

- When toasting is complete, the lever rises automatically, together with the slices of bread.
if the lever is accidentally blocked or held down, toaster may not switch off automatically.
- If the bread is not sufficiently toasted, select a darker toasting level by turning the knob (**D**).
Alternatively, if the toast is too dark, select a lighter toasting level.
- Toasting can be interrupted at any moment simply by pressing the stop/cancel button (**I**).
- Do not use the toaster empty (without slices of bread).
- Do not use very thin or broken slices of bread.
- Never use force to insert excessively large pieces of food.



Danger of burns!! the bread toasting slots become very hot during operation. Do not touch!

"Defrost" function

You can toast frozen slices of bread by pressing the "defrost" button (**F**) immediately after lowering the lever (**B**). The toasting cycle will be prolonged in order to achieve the desired toasting level.

The light stays on while the defrost function is in use.

"Reheat" function

Lower the ON lever (**B**) and press the "reheat" button (**G**).
The reheat light stays on while the reheat function is in use.
The reheat time is fixed and cannot be adjusted by means of the toasting level knob.

Using the stop/cancel button

To stop toasting, press the stop/cancel button (I) at any moment.



Important! do not force the ON lever (B). Always use the stop/cancel button (I).

Crumb tray

The crumb tray (E) must be emptied regularly as accumulated crumbs could represent a fire risk. After toasting, allow the toaster to cool, then extract the crumb tray (E) and empty.

CLEANING - MAINTENANCE

- Before cleaning the toaster or carrying out maintenance, always unplug from the mains.
- Wait for the appliance to cool down before cleaning.
- The outside of the toaster must be cleaned with a damp cloth. Never use abrasive or flammable liquids cleaning products as they could damage the surface.
- **NEVER IMMERSE THE APPLIANCE IN WATER.**
- When you have finished using the toaster, always unplug from the mains and empty the crumb tray on the bottom of the appliance.
- If slices of toast remain stuck in the appliance, unplug, turn upside down and shake lightly.
- **NEVER TOUCH ANY PART OF THE TOASTER, ESPECIALLY THE INSIDE OF THE BREAD TOASTING SLOTS, WITH SHARP UTENSILS.**

TECHNICAL CHARACTERISTICS

Supply voltage	See rating plate
Absorbed power	"