

SERVICE MANUAL

Real Wood Veneer Hostess Trolley - UK

- 0312 240 15011 - HL6240 - Mahogany
- 0312 240 15012 - HL6241 - Curled Mahogany
- 0312 240 15013 - HL6242 - Antique Oak
- 0312 240 15014 - HL6243 - Antique Pine
- 0312 244 15005 - HL6244TK - Teak
- 0312 244 15007 - HL6244CH - Cherry
- 0312 244 15008 - HL6244LO - Limed Oak
- 0312 244 15015 - HL6244MA - Maple
- 0312 244 15016 - HL6244NP - Natural Pine
- 0312 244 15017 - HL6244SP - Striped Pine
- 0312 244 15018 - HL6244AW - American Walnut
- 0312 244 15021 - HL6244BE - Beech
- 0312 238 15020 - HL6238UP - Unfinished Pine
- 0312 244 15225 - HL6244LT - Teak Veneer
- 0312 244 15226 - HL6244NO - Oak Veneer



Service Hints	- Page 1
Technical Data	- Page 2
Wiring Diagram	- Page 3
Exploded Views	- Page 4
Parts List	- Page 5

DISASSEMBLY AND ASSEMBLY

ENSURE APPLIANCE IS DISCONNECTED FROM THE ELECTRICITY SUPPLY BEFORE DISASSEMBLING. NOTE ALL CONNECTION DETAILS AND ROUTING OF LEADS BEFORE DISASSEMBLING.

Numbers appearing in the text refer to illustrations and parts list numbers.

A. SLIDING TABLETOPS

1. *Slide both tabletops open. Remove the two screws securing table-top assemblies 104/132 to sled assembly 501. Lift the outside end of the table-top, and then slide it in slightly to release it from the sled assembly. Lift away the tabletop assembly, complete with Top Cover Liner 517.*
2. *Slide the sled assembly required inwards, past its closed position, until the two plastic sliding blocks 106 on the cabinet channels are exposed. Withdraw the sliding blocks from the cabinet channels and then slide the sled assembly out clear of the channels.*
3. *Top Cover Liners 517 are secured to the table-top covers by three screws.*

B. DOORS, HINGES AND HANDLES

1. *Open the door and, while supporting the door, remove both screws securing the hinge arms to the mounting plates inside the cabinet and withdraw the door.*
2. *Hinge arm assembly 126 is secured to timber door panel 123 by two screws.*
3. *When re-fitting, check door alignment; adjust hinge arm for-and-aft position on mounting plate for clearance as the door opens/closes and for a parallel gap from the cabinet when closed. Adjust front-most hinge arm screw for tilt, to obtain a parallel gap between the doors and square with the cabinet sides.*
4. *Inner door panel 514 is secured to the wooden panel by four screws. Remove for access to door handle 124 fixing screw.*

C. TOP ELEMENT ASSEMBLY

1. *From inside of cabinet, squeeze locking barbs and release mains lead bush 121 retainer from rear panel. Remove rear cover strip 510, secured by a single screw, to the extent of the mains lead wires. Disconnect the top element leads from terminal block 120.*

NOTE: *Terminal block 120 includes push-in locking terminals for internal wiring. Leads inserted in the front-most terminals may only be released by inserting a small screwdriver or similar in the slots provided in the front of the terminal block. Rear-most leads may release with a sharp pull. If leads cannot be released, or are not gripped on insertion, item 120 must be replaced.*

2. *Open the sliding tabletops and remove glass dishes and lids 101 and holders 103.*
3. *Remove the sliding tabletops as in A.1. Then slide each tabletop in turn inwards past its closed position to gain access to the four screws securing top element assembly 107.*
4. *Use a powerful magnet or suitable tool to lift the element assembly out clear of the cabinet, feeding the element wires through grommet 110 in the cabinet.*
5. *Refit in reverse order, taking care that the rear cover strip fixing screw is clear of cables when fixing.*

D. MIDDLE AND BOTTOM ELEMENT ASSEMBLY / NEON

1. Remove rear cover strip 510 as shown in C.1. And disconnect the middle shelf element leads from Terminal block 120 (see note in C.1.)
2. Remove the two screws securing the element assembly through the rear panel of the cabinet, and two screws from under the front edge of the shelf (bottom element front screws are under the front of the cabinet, behind the bottom rail) – see fig.1.
3. Lift the element assembly out clear of the cabinet, feeding the element wires through grommet 110 in the Cabinet.
4. Neon leads 118 pass through the bottom rail of trolley frame 508; neon mates with neon lens 128 through the front bottom plinth 131. Neon leads are routed with bottom element leads to terminal block 120.
5. Re-fit in reverse order, taking care that the rear cover strip fixing screw is clear of cables when fixing.

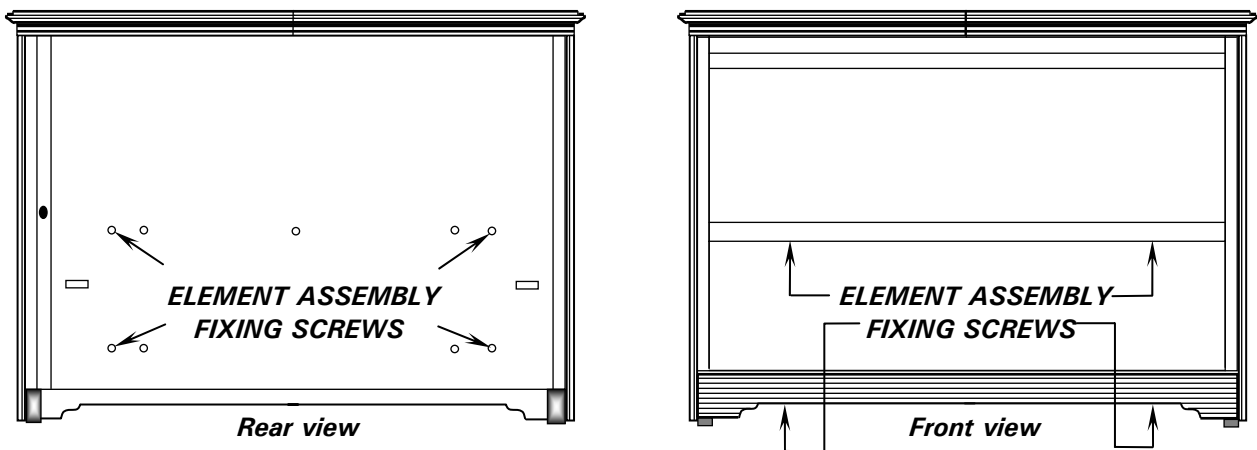


Fig. – HL6242 Element Assembly Fixing Points

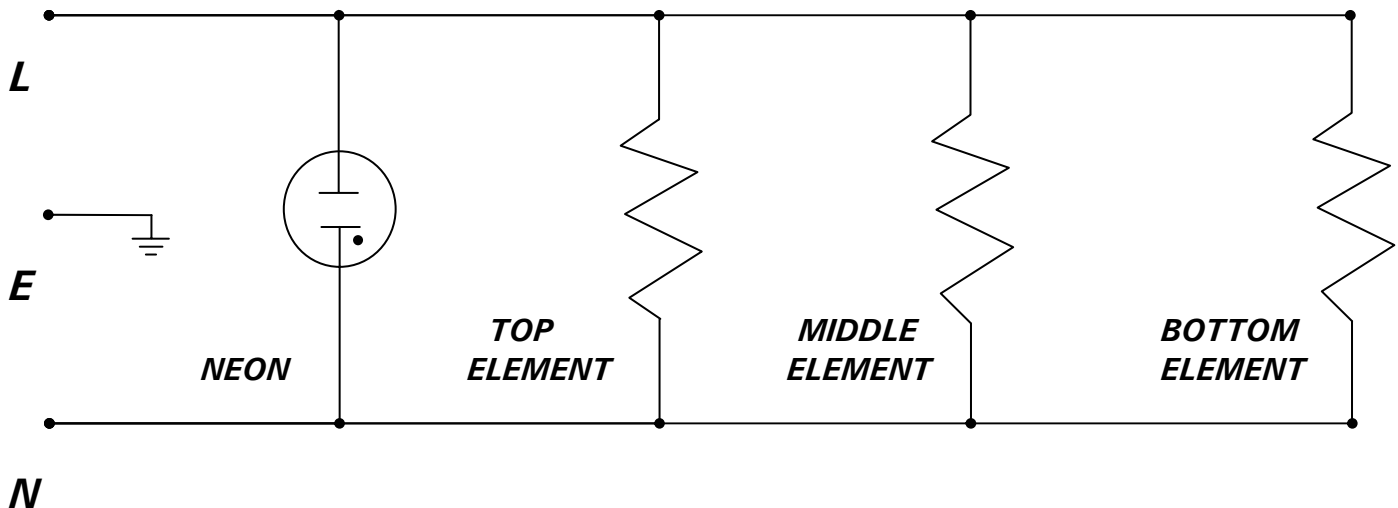
E. MAINS LEAD

1. Remove rear cover strips 510 as in C.1.
2. Disconnect LIVE and NEUTRAL mains lead wires from terminal block 120: release the earth lead from the cabinet earth stud.
3. To remove mains lead bush 121, rotate the retainer arm through 90°, then use pliers to squeeze the mains lead locking tab and push the bush, complete with mains lead, out of the cover strip.
4. Refit in reverse order, ensuring correct wire colour connections and that a sound earth connection is made.

F. CABINET ITEMS

1. *Castor wheels 116 are a push-fit onto the chassis-mounted studs. Remove with care (remove timber side panel/bottom plinth as necessary to avoid damage).*
2. *Cable clips 513 are a push-fit into the rear panel of the cabinet.*
2. *Cabinet side panels 133,134 are secured to the cabinet by four screws from inside the cabinet, and locate on steel tongues protruding from the underframe. Support the panel, release all screws, and then lift clear.*
4. *A centre screw through the bottom rail of trolley frame 508 secures front bottom plinth 131. Steel channel 512 locates the top edge of plinth 131 and is secured to bottom rail of trolley frame 508 by double-sided tape. Ease off with care.*

THEORETICAL WIRING DIAGRAM



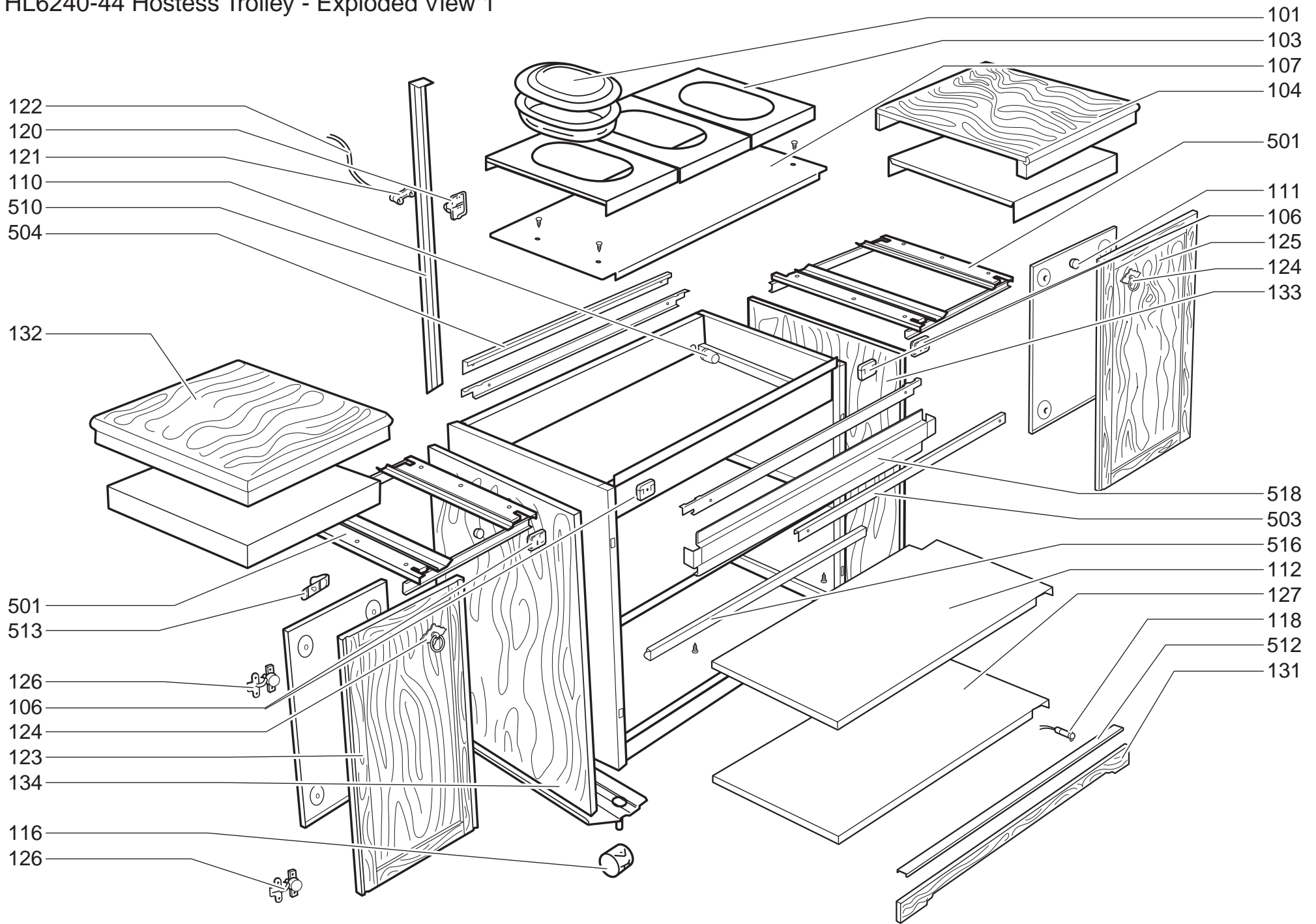
SPECIFICATION

<i>Voltage</i>	<i>230 V a.c. 50 Hz</i>
<i>Loading</i>	<i>410 W (Top 110 W, Middle 110 W, Bottom 190 W)</i>
<i>Cord length</i>	<i>2 m</i>
<i>Pre-heat time</i>	<i>30 minutes approx</i>
<i>Finish</i>	<i>See text</i>
<i>Dimensions (approx)</i>	<i>785mm W x 435mm D x 720mm H</i>

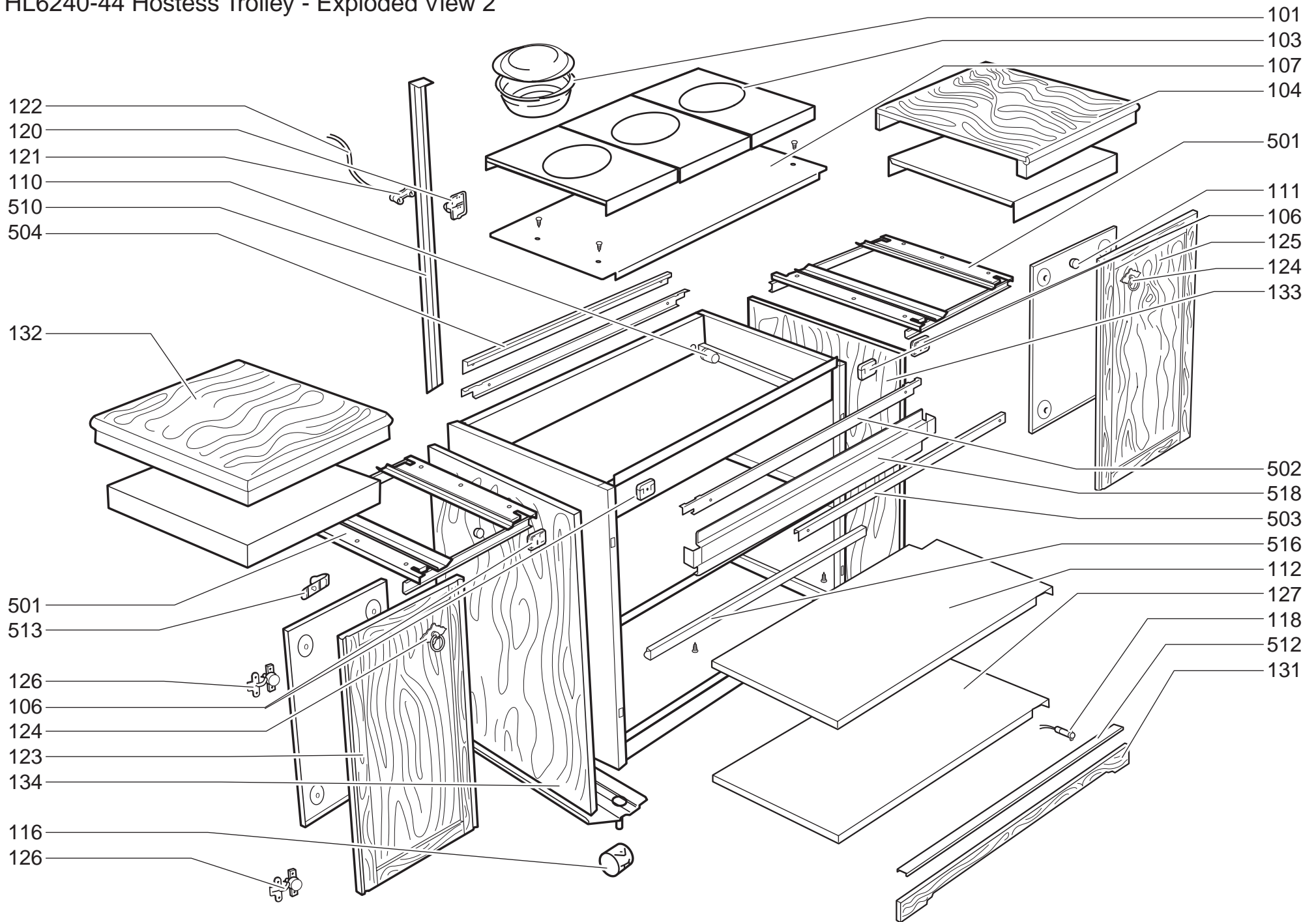
SERVICE INFORMATION

The elements used in this appliance are of the adhesive variety and cannot be removed easily. For this reason, elements and plates are supplied as complete assemblies.

HL6240-44 Hostess Trolley - Exploded View 1



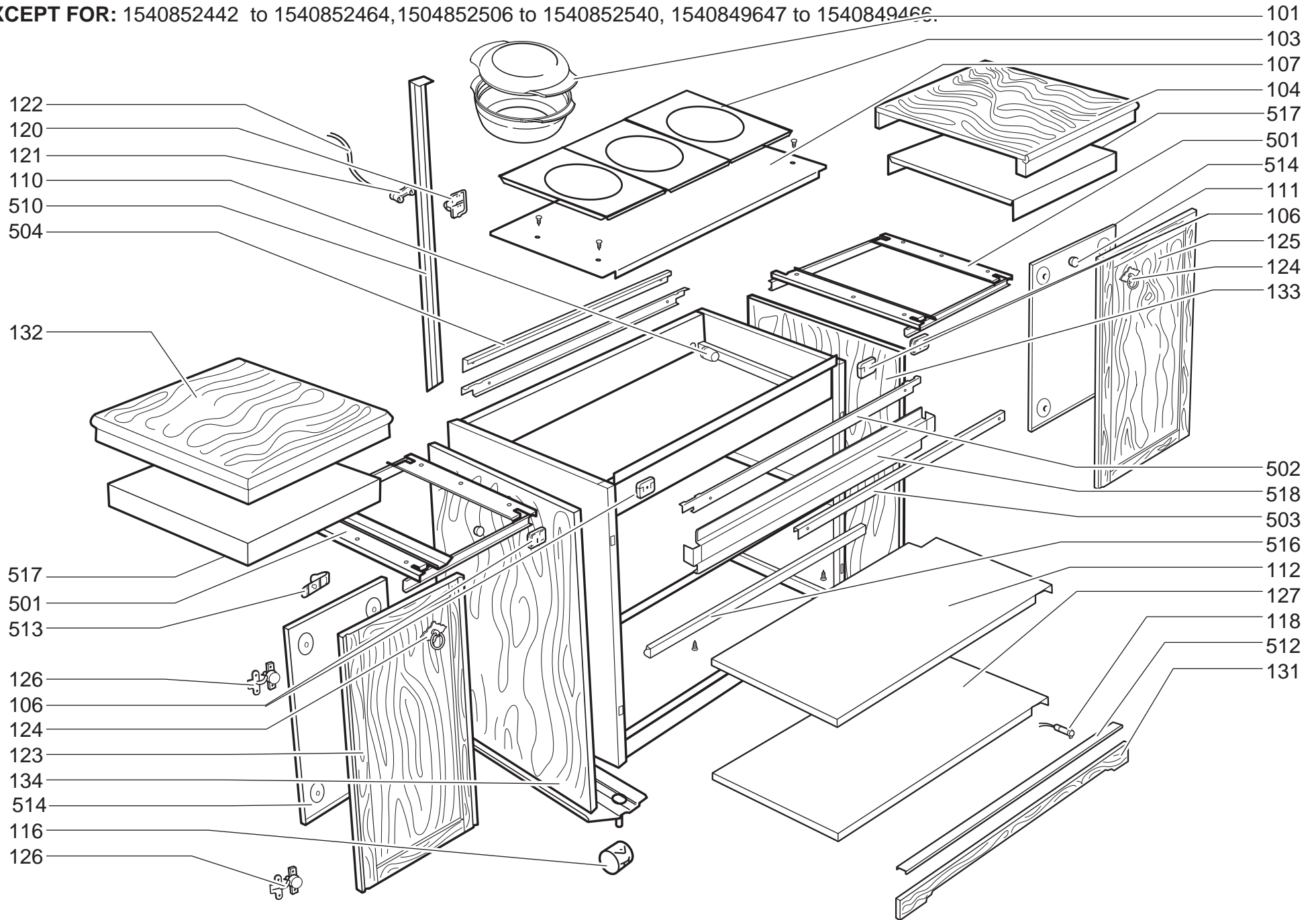
HL6240-44 Hostess Trolley - Exploded View 2



HL6238-44 Hostess Trolley - Exploded View 3

2 Ltr Round Dishes - Serial No's: 1540825398 and higher.

EXCEPT FOR: 1540852442 to 1540852464, 1504852506 to 1540852540, 1540849647 to 1540849466.



HL6240-44 Real Wood Veneer Hostess Trolley - Parts List

150	Full Wood Set - HL6244CH	0101 092 30131
150	Full Wood Set - HL6244LO	0101 092 30141
150	Full Wood Set - HL6244MA	0101 092 30151
150	Full Wood Set - HL6244NP	0101 092 30161
150	Full Wood Set - HL6244SP	0101 092 30171
150	Full Wood Set - HL6244AW	4213 092 29761
150	Full Wood Set - HL6244BE	0101 092 30181
150	Full Wood Set - HL6238UP	0101 092 30211
150	Full Wood Set - HL6244LT	0101 092 61171
150	Full Wood Set - HL6244NO	0101 092 61181
501	Top Cover Glide Support Assembly	0101 082 22601
502	Glide Assembly	0101 082 12081
503	Glide Cover (printed)	0101 077 61491
504	Glide Cover (plain)	0101 082 12131
510	Wiring Cover	0101 082 12051
512	Plinth Trim	0101 082 12371
513	Cable Clip	0101 177 04501
516	Element Panel Trim	0101 082 12351
517	Top Cover Liner	0101 082 12411
n/a	User Instruction Booklet	0101 194 12762

Please Note: We are unable to supply separate wood veneered parts due to the difficulty in matching the wood. To replace such you will need to order a Full Wood Set (item 150)