

# NINJA®

## Foodi® Blender & Soup Maker

### HB150UK Series

#### INSTRUCTIONS



# THANK YOU

for purchasing the Ninja® Foodi® Blender & Soup Maker



## REGISTER YOUR PURCHASE



ninjakitchen.co.uk/registerguarantee



Scan QR code using mobile device

## RECORD THIS INFORMATION

Model Number: \_\_\_\_\_

Serial Number: \_\_\_\_\_

Date of Purchase: \_\_\_\_\_  
(Keep receipt)

Store of Purchase: \_\_\_\_\_

## TECHNICAL SPECIFICATIONS

Voltage: 220-240V~ 50-60Hz

Watts: 1000W

## PLEASE READ CAREFULLY AND KEEP FOR FUTURE REFERENCE.

These instructions are designed to help you get a complete understanding of your new Ninja® Blender & Soup Maker

**GUARANTEE:** This product is unconditionally guaranteed for one year against all defects of workmanship and materials. This guarantee does not affect your statutory rights. If this product proves unsatisfactory please contact our customer service department.

# CONTENTS

<b>Product Registration</b> .....	<b>1</b>
<b>Important Safety Instructions</b> .....	<b>3</b>
<b>Parts</b> .....	<b>5</b>
<b>Features</b> .....	<b>6</b>
Auto-iQ® Programs.....	6
MANUAL Settings.....	6
<b>Before First Use</b> .....	<b>7</b>
<b>Handling the Blender Jug</b> .....	<b>8</b>
<b>Getting started with your Blender &amp; Soup Maker</b> .....	<b>9</b>
Assembly .....	9
Auto-iQ Programs.....	10
Manual Cook.....	10
Manual Blend.....	10
<b>Care &amp; Maintenance</b> .....	<b>11</b>
Cleaning .....	11
Storing.....	11
Resetting the Motor.....	11
Ordering Replacement Parts.....	11
<b>Display Screen &amp; Error Messages</b> .....	<b>12</b>
<b>Troubleshooting Guide</b> .....	<b>13</b>



This marking indicates that this product should not be disposed with other household waste. To prevent possible harm to the environment or human health from uncontrolled waste disposal, recycle it responsibly to promote the sustainable reuse of material sources. To return your used device, please use the return and collection systems or contact the retailer where this product was purchased. They can take this product for environmental safe recycling.

# IMPORTANT SAFETY INSTRUCTIONS

PLEASE READ CAREFULLY BEFORE USE • FOR HOUSEHOLD USE ONLY

## ⚠ WARNING

**To reduce the risk of injury, fire, electrical shock or property damage, basic safety precautions must always be followed, including the following numbered warnings and subsequent instructions.**

**Extreme caution must be used when moving an appliance containing hot oil or other hot liquids.**

**Do not use appliance for other than intended use.**

- 1 Read all instructions prior to using the appliance and its accessories.
- 2 Carefully observe and practice all warnings and instructions. This unit contains electrical connections, moving parts, and heating elements that potentially present risk to the user.
- 3 Take your time and exercise care during unpacking and appliance setup.
- 4 Take inventory of all contents to ensure you have all parts needed to properly and safely operate your appliance.
- 5 Blades are sharp. Handle carefully.
- 6 Turn the appliance **OFF**, then unplug the appliance from the socket when not in use, before assembling or disassembling parts, and before cleaning. To unplug, grasp the plug by the body and pull from the socket. **NEVER** unplug by grasping and pulling the flexible cord.
- 7 Wash all parts that may contact food before use. Follow washing instructions covered in this instruction manual.
- 8 To protect against the risk of electric shock, **DO NOT** submerge the appliance or allow the power cord to contact any form of liquid.
- 9 **DO NOT** use this appliance outdoors. It is designed for indoor household use only.
- 10 **DO NOT** operate any appliance with a damaged cord or plug, or after the appliance malfunctions or is dropped or damaged in any manner. This appliance has no user-serviceable parts. If damaged, contact SharkNinja for servicing.
- 11 This appliance has important markings on the plug blade. The entire supply cord is not suitable for replacement. If damaged, please contact SharkNinja for service.
- 12 Extension cords should not be used with this appliance.
- 13 **DO NOT** allow children to operate this appliance or use as a toy. Close supervision is necessary when any appliance is used near children.
- 14 This appliance is not intended to be used by people with reduced physical, sensory, or mental capabilities, or lack of experience and knowledge, unless they have been given supervision or instruction concerning use of the appliance by a person responsible for their safety.
- 15 Cleaning and user maintenance shall not be carried out by children.
- 16 Keep the appliance and its cord out of reach of children.
- 17 Before each use, inspect blade assemblies for damage. If a blade is bent or damage is suspected, contact SharkNinja to arrange for replacement.
- 18 **DO NOT** attempt to sharpen blades.
- 19 **DO NOT** let cord hang over edge of table or worktop or touch hot surfaces.
- 20 **DO NOT** allow the unit or the cord to contact hot surfaces, including stoves and other heating appliances.
- 21 **DO NOT** place on or near a hot gas or electric burner or in a heated oven.
- 22 **ALWAYS** use the appliance on a dry and level surface.
- 23 Keep hands, hair, and clothing out of the container when loading and operating.

## SAVE THESE INSTRUCTIONS

- 24 **ONLY** use attachments and accessories that are provided with the product or are recommended by SharkNinja. The use of attachments, including canning jars, not recommended or sold by SharkNinja may cause fire, electric shock, or injury.
- 25 The appliance is only to be used with the stand provided.
- 26 During operation and handling of the appliance, avoid contact with moving parts.
- 27 **DO NOT** operate the appliance with an empty container.
- 28 **DO NOT** fill containers past the max fill or max liquid lines.
- 29 **DO NOT** microwave any containers or accessories provided with the appliance.
- 30 Before operation, ensure all utensils are removed from containers. Failure to remove utensils can cause containers to shatter and potentially result in personal injury and property damage.
- 31 Keep hands and utensils out of container while blending to reduce the risk of severe injury to persons or damage to the blender. A rubber scraper or spatula may be used but must be used **ONLY** when the blender is not running.
- 32 **NEVER** operate the appliance without lids and caps in place. **DO NOT** attempt to defeat the interlock mechanism. Ensure the container and lid are properly installed before operation.
- 33 **DO NOT** expose the containers and accessories to extreme temperature changes. They may experience damage.
- 34 **NEVER** leave the appliance unattended while in use.
- 35 **ALWAYS** operate blender with cover in place.
- 36 Be careful if hot liquid is poured into the blender as it can be ejected out of the appliance due to a sudden streaming.
- 37 Allow to cool before assembling or disassembling parts and before cleaning appliance.
- 38 **DO NOT** grasp the sides of the pitcher after hot blending or cooking. The surface of the pitcher is hot during and after operation. Surfaces are hot during and after operation. To prevent burns or personal injury, **ALWAYS** use protective hot pads or insulated oven mitts and use available handles and knobs.
- 39 If you find unmixed ingredients sticking to the sides of the pitcher, stop the appliance, remove the lid, and use a rubber scraper or spatula to dislodge ingredients. **NEVER** insert your hands into the pitcher, as you may contact one of the blades and experience a laceration.
- 40 **DO NOT** attempt to remove the container and lid from the motor base while the motor is still spinning. Allow the appliance to come to a complete stop before removing the lid and pitcher.
- 41 If the appliance overheats, a thermal switch will activate and temporarily disable the motor. To reset, unplug the appliance and allow it to cool for approximately 15 minutes before using again.
- 42 The maximum wattage rating for this appliance is based on the configuration of the high speed bottom blade and glass pitcher blender. Other configurations may draw less power or current.
- 43 Turn off the appliance and unplug the motor base before cleaning.



Indicates to read and review instructions to understand operation and use of product.



Indicates the presence of a hazard that can cause personal injury, death or substantial property damage if the warning included with this symbol is ignored.

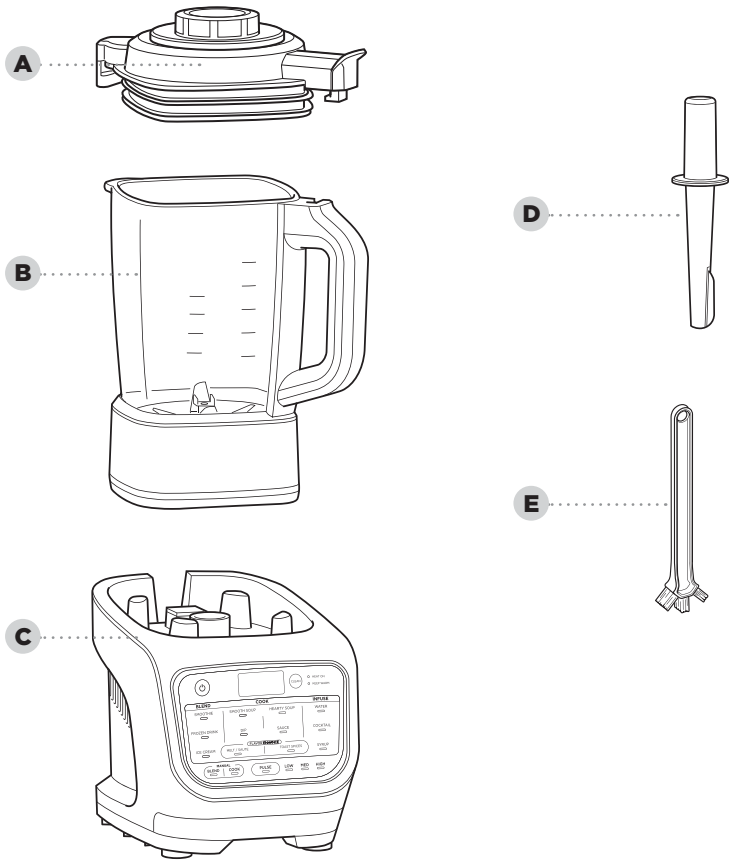


Take care to avoid contact with hot surface. Always use hand protection to avoid burns.



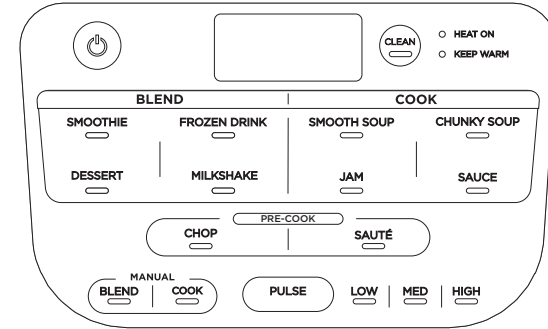
For indoor and household use only.


## PARTS



- A** Jug Lid with Removable Centre Cap
- B** 1.7L Glass Jug with Built-in Heating Element
- C** Motor Base  
(power cord not shown)
- D** Tamper
- E** Cleaning Brush

## FEATURES



 The power symbol should be used to turn your appliance on or off.

### AUTO-iQ® PROGRAMS:

Features intelligent programs that combine unique pulsing, blending, pausing, and heating patterns that do the work for you.

#### SMOOTHIE

Combine your favourite fresh or frozen ingredients, liquids and powders.

#### DESSERT

Use your favourite frozen fruit and dairy to make sorbets and frozen treats.

#### FROZEN DRINK

Crush ice and frozen fruit into restaurant style frozen drinks.

#### MILKSHAKE

Blend milks and your favourite flavours for a frothy milkshake.

#### SMOOTH SOUP

Cook and blend your favourite smooth soups.

#### CHUNKY SOUP

Create homemade soup with more texture.

#### JAM

Make your own fruit jams with texture or strain afterwards for a smooth result.

#### SAUCE

Create sweet or savoury sauces and fondues.

#### CHOP

Quickly chop up ingredients before making soups, sauces and dips.

#### SAUTE

Unlock more flavour by quickly cooking onions, garlic, spices and more before making a homemade soup, sauce or dip.

### MANUAL SETTINGS:

#### BLEND

Select BLEND then choose your speed setting. LOW, MED and HIGH will run for 60 seconds or until manually stopped.

#### COOK

Select COOK, then choose either LOW, MED or HIGH temperature. The setting will run for 60 minutes or until manually stopped.

### OTHER FEATURES:

#### POWER BUTTON

Use to turn the unit on or off.

#### CLEAN

Combines heat and rapid pulses to remove stuck-on messes.

#### HEAT ON

Light will turn on when you have selected a program or function that uses heat.

#### KEEP WARM

Light will turn on after cooking and the unit will keep contents warm for up to 60 minutes.

## BEFORE FIRST USE

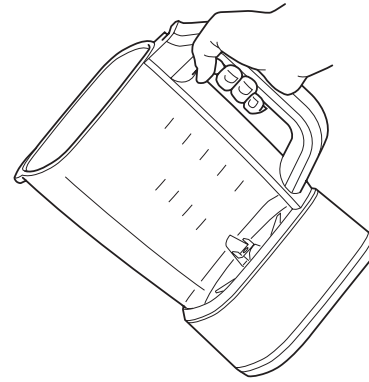
**IMPORTANT:** Review all warnings located at the beginning of this manual before proceeding.

- 1 Remove all packaging material and labels from the appliance. Separate all parts from each other.
- 2 Wash the jug, lid, and accessories in warm, soapy water using a dishwashing utensil with a handle to avoid direct contact with the blades. **DO NOT** submerge the jug when washing.
- 3 Thoroughly rinse and air-dry all parts

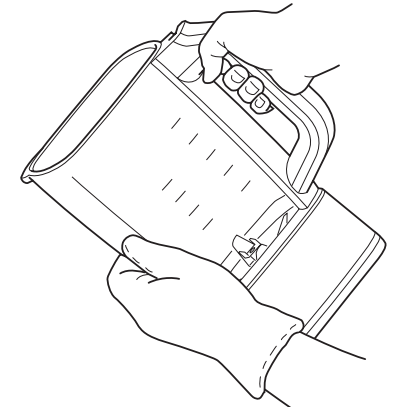
**NOTE:** Follow cleaning instructions on page 12 very carefully. **NOTE: DO NOT** submerge the jug when washing.

## HANDLING THE BLENDER JUG

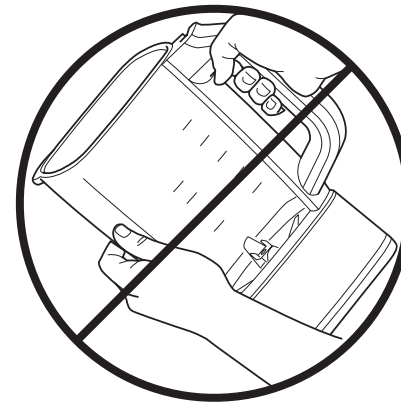
### LIFTING AND POURING FROM THE JUG



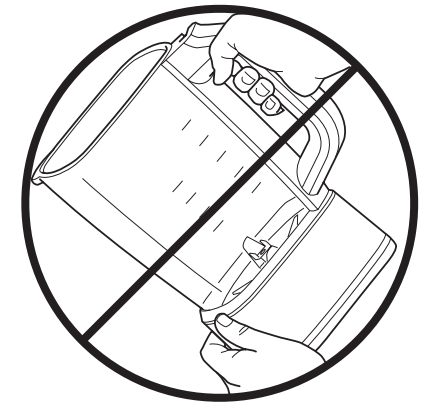
Firmly grasp the handle with one hand and carefully pour out ingredients.



**NOTE:** If jug feels too heavy in one hand, use a protective mitt or glove and support the jug weight with your other hand.



**DO NOT** grasp the sides of the jug after hot blending or cooking. The surface of the jug is hot during and after operation. Surfaces are hot during and after operation. To prevent burns or personal injury, **ALWAYS** use protective hot pads or insulated oven mitts and use available handles and knobs.



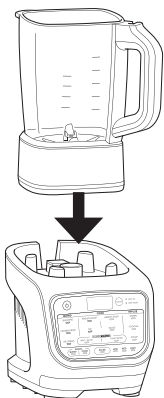
**DO NOT** grasp the underside of the jug after hot blending or cooking. The surface of the jug is hot during and after operation. Surfaces are hot during and after operation. To prevent burns or personal injury, **ALWAYS** use protective hot pads or insulated oven mitts and use available handles and knobs.

# GETTING STARTED WITH YOUR BLENDER & SOUP MAKER

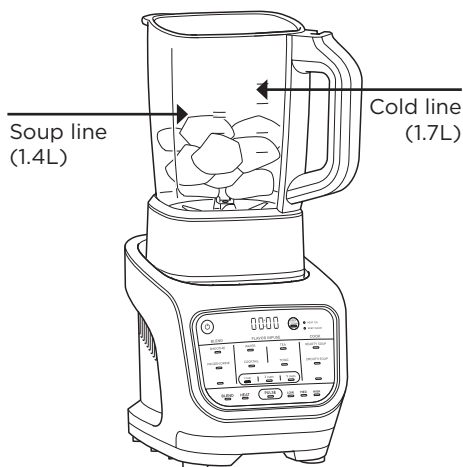
**IMPORTANT:** Review all warnings before proceeding.

## ASSEMBLY

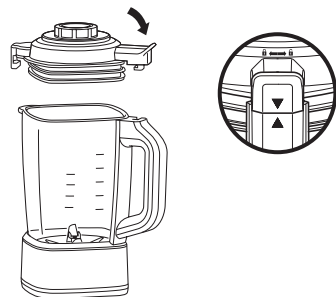
- 1 Plug in motor base and place on a clean, dry, level surface such as a worktop or table.
- 2 Lower the jug onto the motor base, aligning the handle to the arrow on the front right corner of the base.



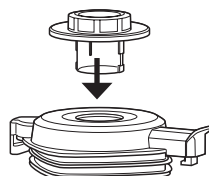
- 3 Add ingredients, making sure not to exceed the max fill lines on the side of the jug. In COOK modes, **DO NOT** exceed the level labelled HOT in BLEND mode, **DO NOT** exceed the level labelled COLD.



- 4 To install the lid on the lid on the jug, place the lid tab to the right of the handle. Press the lid down until it is secure. Rotate the tab clockwise so the arrow on the lid tab aligns with the arrow on the jug handle.



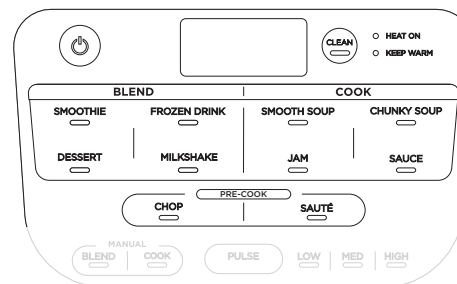
- 5 Secure the centre cap by placing it down into the lid and twisting clockwise until it clicks into place.



- 6 To remove the lid from the jug, rotate the lid anti-clockwise out of the lock position and lift up.

**NOTE:** After heated programs, steam may release as the lid is removed. Keep hands on the outer tabs and lift directly up.

## AUTO-IQ® PROGRAMS

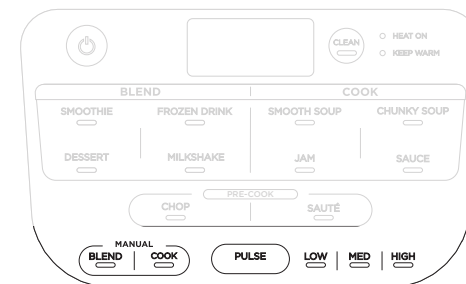


- 1 To begin, press the Power button.
- 2 Press the program of your choice from the BLEND, COOK or PRE-COOK sections.
- 3 The Heat On light will turn on if the selected program uses heat.

**TIP:** When making thicker recipes such as ice creams and dips, use the tamper to push ingredients towards the blades. Tamper should only be used when lid is attached to jug. Remove center cap and replace with tamper.

**NOTE:** The unit will beep 3 times to alert you that the program is going to stir ingredients. Make sure center cap is secure during use.

## MANUAL SETTINGS



### MANUAL BLEND

Manual Blend speeds give you ultimate control over your blend.

- 1 To begin, press the Power button.
- 2 Choose BLEND to unlock speed options.
- 3 Select LOW, MED, HIGH, or PULSE to begin blending.

**NOTE:** The Pulse setting will run only when the PULSE button is pressed.

### MANUAL COOK

Manual Cook settings puts the control in your hands.

- 1 To begin, press the Power button.
- 2 Choose COOK to unlock temperature options.
- 3 Select LOW, MED, or HIGH to begin cooking.
- 4 Timer will count up to 60 seconds or until manually stopped.

**NOTE:** You can press PULSE during Manual Cook mode to gently stir ingredients.

**NOTE:** For best results, quickly PULSE ingredients periodically during cooking to distribute heat and promote even cooking.

## CARE & MAINTENANCE

### CLEANING

Wait for all parts to cool before cleaning. Separate all parts.

#### Hand-Washing

Wash the jug, lid, and tamper with warm, soapy water. Use the included cleaning brush to avoid direct contact with the blades.

**NOTE: DO NOT** submerge the blender jug. Submerging will damage the integrated heating element.

#### Dishwasher

The lid, centre cap and tamper are dishwasher safe.

**NOTE: DO NOT** wash the blender jug in the dishwasher. Dishwashing will damage the integrated heating element.

#### Motor Base

Press the power button to turn off the unit, then unplug the motor base. Wipe motor base with a clean, damp cloth.

### CLEAN

A combination of heat and rapid pulses easily removes residue from the nonstick coating in minutes

- 1 Fill jug with 700ml of water and 2 small drops of washing up liquid.
- 2 Place the lid on the jug and ensure it is properly closed.
- 3 Press CLEAN.
- 4 When the program is complete, discard the water and thoroughly rinse the jug.

#### TIPS FOR BEST CLEANING RESULTS:

- 1 Give the jug a quick rinse before running the CLEAN program.
- 2 Run the CLEAN program immediately after use.

### STORING

Store the unit upright with the lid secured on the jug.

**NOTE: DO NOT** stack items on top of the unit. Store any remaining attachments alongside the unit or in a cabinet where they will not be damaged or create a hazard.

### RESETTING THE MOTOR

This unit features a unique safety system that prevents damage to the motor by temporarily disabling the motor if it begins to overheat. Should this occur, follow the reset procedure below.

- 1 Unplug the unit from the socket.
- 2 Allow the unit to cool for approximately 15 minutes before using.

**IMPORTANT:** Ensure that maximum capacities are not exceeded. This is the most typical cause of appliance overload.

### ORDERING REPLACEMENT PARTS

To order additional parts and attachments, visit [ninjakitchen.co.uk](http://ninjakitchen.co.uk)

## ERROR MESSAGES

### DISPLAY SCREEN MESSAGES

#### “Lid”

The lid is not assembled correctly. Be sure the lid is on the jug and locked in place before running a program.

#### “Jar”

The jug is properly attached to the base. Be sure the jug is secured in the base before selecting a program.

#### “----” Blinking

You are attempting to run a program too many times in a row. For your safety, certain programs may be run only 2 consecutive times.

**NOTE: DO NOT** attempt to remove the jug while the blender is running. Wait for the blades to stop spinning before removing the jug.

### ERROR MESSAGES

#### “E01” or “E02”

Remove and reinstall the jug. If that does not solve the issue, contact Customer Service. So we may better assist you, please register your product online at [registeryourninja.com](http://registeryourninja.com) and have the product on hand when you call.





**VISIT US ONLINE AT:**

ninjakitchen.co.uk

**Or follow us on any of our social media pages:**



@ninjakitchenuk



**SharkNinja Europe Limited**  
**3150 Century Way**  
**Thorpe Park, Leeds**  
**LS15 8ZB, UK**  
**ninjakitchen.co.uk**

**SharkNinja Germany GmbH,**  
**c/o Regus Management GmbH**  
**Excellent Business Center 10**  
**+11/Stock Westhafenplatz 1,**  
**60327 Frankfurt am Main,**  
**Germany**  
**ninjakitchen.eu**

Illustrations may differ from actual product. We are constantly striving to improve our products, therefore the specifications contained herein are subject to change without notice.

AUTO-IQ, FOODI and NINJA are registered trademarks of SharkNinja Operating LLC.

© 2021 SharkNinja Operating LLC

HB150UK\_IB\_MP\_210719\_Mv1  
PRINTED IN CHINA

