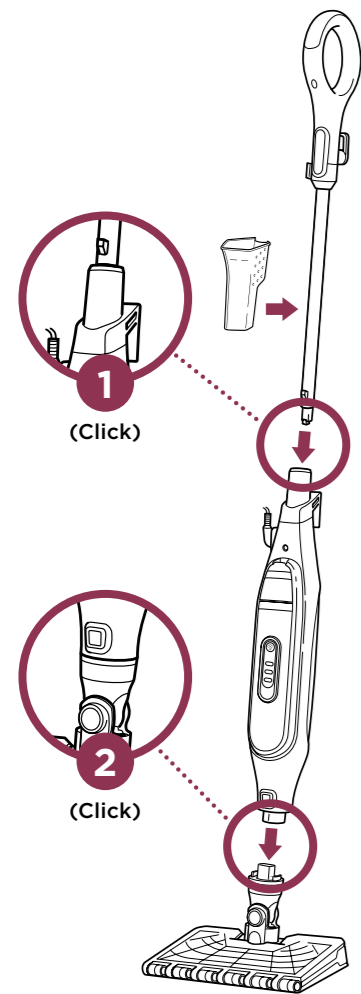


ASSEMBLY

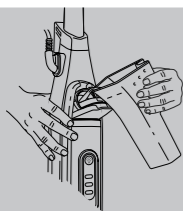
Steam Pocket® Mop Assembly



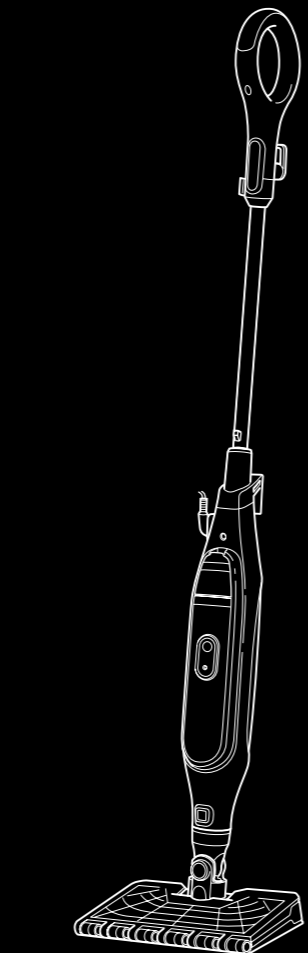
Filling the Water Tank

Pull down on the water tank cap to open.

Use the filling flask to pour water into the tank. Do not overfill. Press the water tank cap firmly to close it.



TO REMOVE the Klik n' Flip Mop Head, press the release button on the front of the mop body.



Shark

For questions or to register your product, contact us at:
0800 862 0453 or visit us online at sharkclean.eu

S6003UK_161007

Please be sure to read the enclosed Owner's Guide prior to using your unit.

Shark

KLIK N' FLIP SMARTRONIC DELUXE

STEAM POCKET® MOP

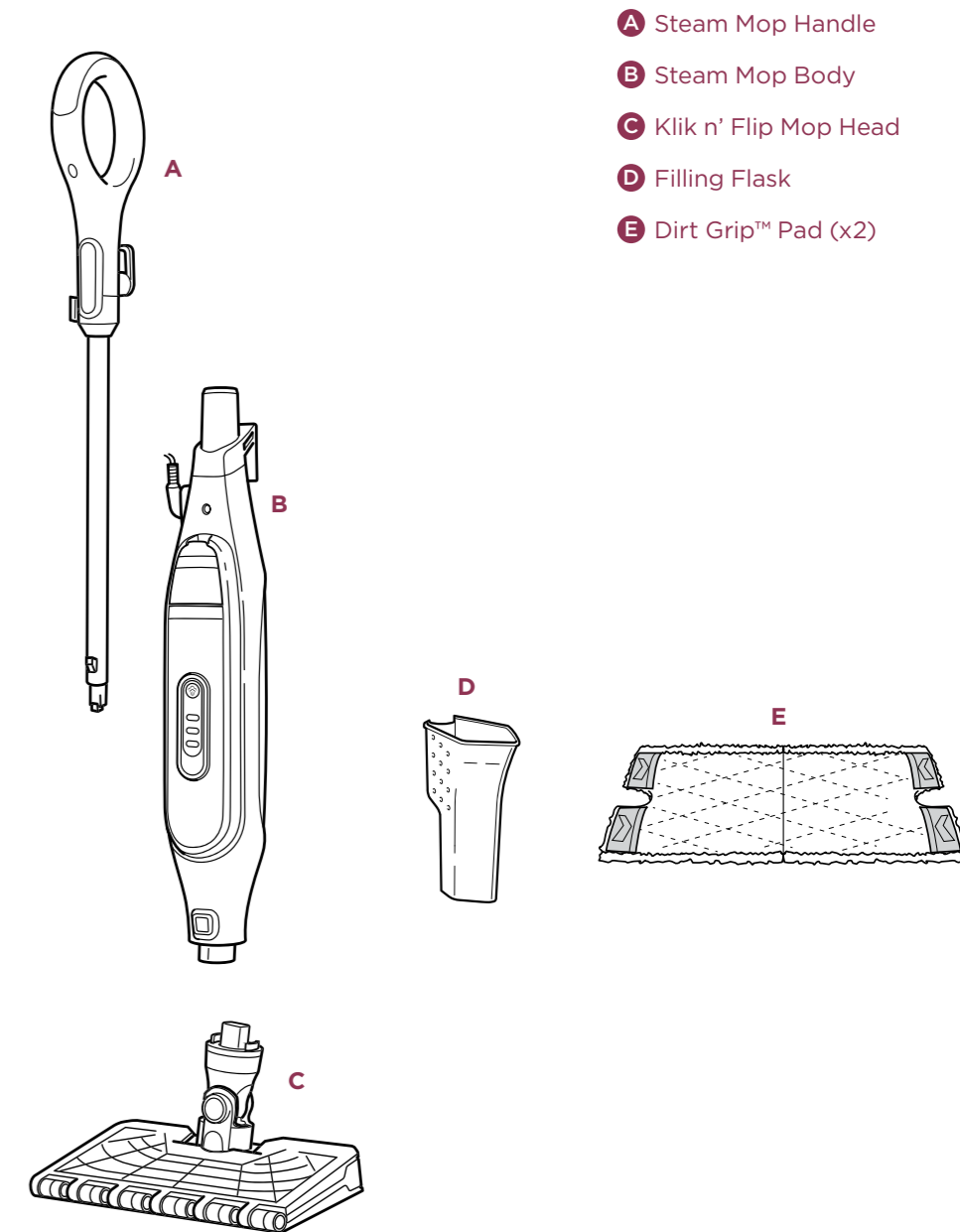
With Intelligent Steam Control®

QUICK START GUIDE

Use this Quick Start Guide to learn about your new Shark Klik n' Flip Smartronic Deluxe's great features.



WHAT'S INSIDE:



For additional parts and accessories, visit sharkclean.eu

INTELLIGENT STEAM CONTROL

With the Klik N' Flip Mop Head, you can quickly and easily attach and release the Dirt Grip™ Pads without touching them. No more wrestling with dirty, wet pads. The Dirt Grip Pads are double-sided, washable and reusable. For pad attachment and removal instructions, see the following page.

USING YOUR STEAM POCKET MOP



Your Steam Mop is ideal for deep cleaning and cutting through dirt and grime in high-traffic areas.

The unit will be in standby mode as soon as it is plugged in.

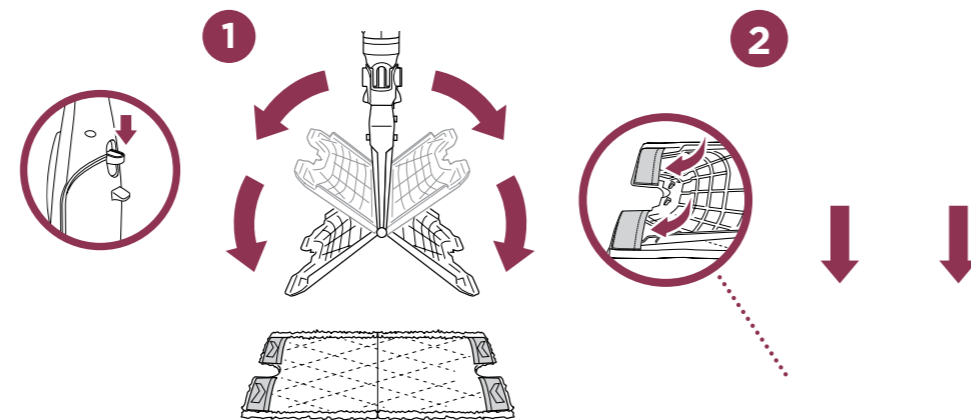
The 3 lights below the Steam Control Button will blink while in standby mode.

To select the steam mode, press the Steam Control Button once for LOW (1 blue light), twice for MED (2 blue lights), or three times for HI (3 blue lights).

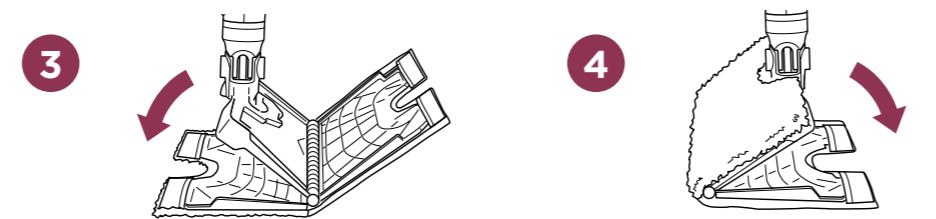
SETTING	IDEAL FOR THESE SEALED SURFACES	RECOMMENDED USAGE
LOW 	Laminate Hardwood Marble	Light cleaning and dusting Loosening and lifting light dirt
MED 	Hardwood Marble Tile Stone	Cleaning most sealed surfaces and large areas Basic, everyday cleaning Removing spots and smaller messes Cleaning moderate and heavy-traffic areas
HI 	Hardwood Marble Tile Stone	Deep cleaning and cleaning hard-to-clean surfaces Tough cleaning and removing stuck-on messes and stains Deep cleaning heavy-traffic areas Cutting through heavy dirt and grime

KLIK N' FLIP MOP HEAD TECHNOLOGY

TOUCH-FREE CLEANING PAD ATTACHMENT



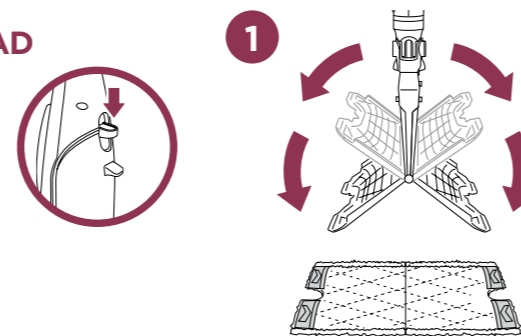
1. Lift the mop straight up by the handle until the Mop Head is hanging straight down. Center the Mop Head above the pad. Press the release button on the back of the mop body, and both sides of the mop head will drop open.
2. Slip the mop head's 4 corner tabs into the 4 corner pockets of the Dirt Grip™ Pad.



3. Gently press the Mop Head to the floor on one side of the pad, and that side will click into place.
4. Flip the other side of the head over onto the floor to click into place.

REMOVING THE CLEANING PAD

1. Lift the mop straight up by the handle until the Mop Head is hanging straight down. Press the pad release button, and both sides of the head will drop open, releasing the pad.



DIRT GRIP™ PADS

DOUBLE-SIDED, WASHABLE, REUSABLE

Our washable Dirt Grip Pads are made with fibers specially designed to absorb and trap dirt. This gives your floors an amazing clean, with minimal streaking and short dry times.

For best cleaning results, we recommend replacing your Dirt Grip Pads following 20 normal uses.

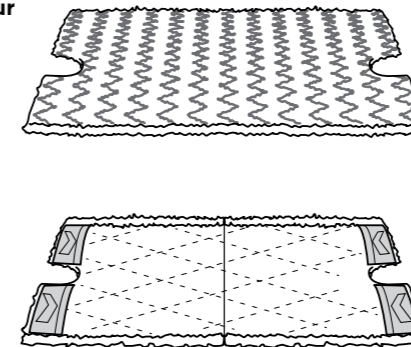
CLEANING PAD CARE

Machine wash the Dirt Grip Pads separately with warm water using liquid detergent.

NEVER USE BLEACH, POWDERED DETERGENT, OR FABRIC SOFTENERS as they may damage the Dirt Grip Pads.

You can purchase replacement Dirt Grip Pads and other accessories by visiting sharkclean.eu or calling 0800 862 0453.

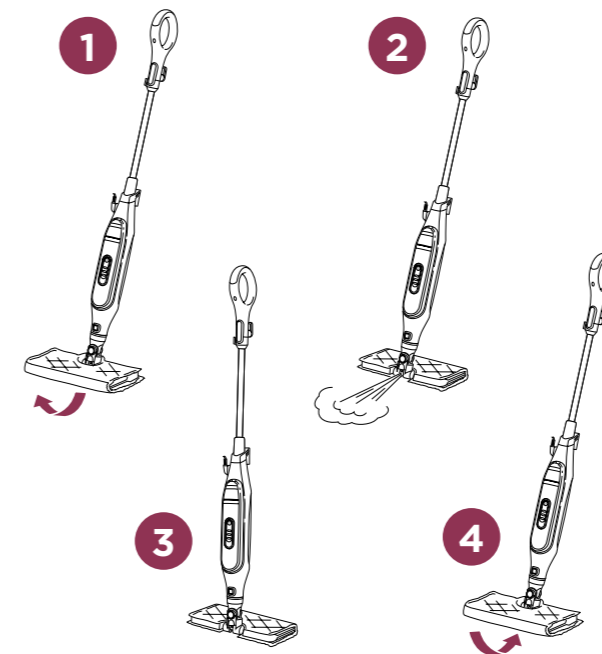
Some parts may be available at your local retailer. Contact Customer Service for any other servicing.



STEAM BLASTER

When you need an extra burst of steam to clean tough, dried messes and stuck-on stains, use the Steam Blaster.

1. Flip the Mop Head over so that it is behind the mop body.
2. Tilt the mop handle back. This will cause the Steam Blaster to emit a concentrated blast of steam onto the floor.
3. To stop the Steam Blaster spray, simply tilt the mop handle forward.
4. Flip the Mop Head back into its original position and continue cleaning.



TROUBLESHOOTING

PROBLEM	POSSIBLE REASONS & SOLUTIONS
The Steam Mop isn't producing any steam.	The Steam Mop should be securely plugged into an electrical outlet. Check your fuse or circuit breaker or try a different outlet. Make sure the water tank is full, the unit is plugged in, and the light around the Steam Control Button is solid. If the lights below the Steam Control Button are not illuminated, try a different electrical outlet. If the lights below the Steam Control Button are blinking, press the Steam Control Button to select a Steam setting. If the lights below the Steam Control Button are solid, wait 30 seconds for the unit to warm up. If after following the above steps the Steam Mop still does not produce any steam, contact Customer Service at 0800 862 0453.
The Steam Mop is producing intermittent steam.	This is normal—for more consistent steam select the HI setting. Also, make sure the water tank is full.
I can't select a Steam Setting.	Make sure the Steam Mop is plugged in and the lights below the Steam Control Button are solid. If your Steam Mop is producing steam but the lights below the Steam Control Button are not lit, call customer service at 0800 862 0453.
I am getting streaky/cloudy floors.	The Dirt Grip™ Pad might be dirty. If it is, flip it over to the clean side or change it entirely. If you washed the Dirt Grip Pad with powdered detergent, then it could be damaged and require replacement. This could also be an indication of soap or grease residue that has accumulated on the floor. As the Steam Mop uses only a small amount of water, it may not be enough to rinse off the accumulation of residue that the steam is bringing to the surface. We suggest rinsing the floor with nothing but water, letting it dry, and then steam mopping again with a clean Dirt Grip Pad. One or more rinses will generally remove the residue. A more stubborn case may require you to rinse the floor with a mix of one part vinegar and two parts water* (but DO NOT put any cleaning solutions or chemicals into the Steam Mop's water tank.) <i>*Please consult your flooring manufacturer's care and maintenance instructions before applying any cleaning products or solutions.</i>
It's really hard for me to push/pull the Steam Mop.	The Steam Mop might be hard to push/pull if the Dirt Grip Pad isn't wet enough. It should get easier to push/pull the Steam Mop after it's been running for a few minutes. An overly dirty pad could also result in a harder push/pull experience. We recommend flipping the pad over or using a clean pad.