

IMPORTANT SAFETY PRECAUTIONS

- Do not place the kettle, power base or mains lead on or near any hot surface, hot hob or gas burner
- Do not use the kettle for any purpose other than heating water
- Do not operate the kettle unless the water filter is correctly in position
- Do not operate the kettle unless it contains at least 250ml of water and the floor of the kettle is covered
- This kettle is for household use only
- To disconnect, turn any control to off, then remove plug from wall outlet
- Use the kettle only with the power base supplied and vice versa
- The use of accessory attachments not recommended by Dualit may result in fire, electric shock or injury to persons
- A short power-supply cord is to be provided to reduce risks resulting from becoming entangled in or tripping over a longer cord
- Longer extension cords may be used if care is exercised in their use
- If a long extension cord is used, the marked electrical rating of the extension cord should be at least as great as the electrical rating of the appliance,
- 2. The appliance is of the grounded type, the extension cord should be a grounding-type 3-wire cord, and
- 3. The longer cord should be arranged so that it will not drape over the counter top or table top where it can be pulled on by children or tripped over.
- Never use the kettle without the panels correctly assembled
- Do not operate any appliance with a damaged lead or plug, or after the appliance malfunctions or has been damaged in any manner.
- If the mains lead is damaged, it must be replaced by a special cord set available from Dualit's Customer Helpline on +44 (0) 1293 652 500
- Connecting to the mains supply:
- Check that the voltage marked on the appliance corresponds with the supply voltage
- NOTE: any plug cut from the power supply cord should be disposed of immediately. Inserting any cut off plug into a 13A socket-outlet is hazardous
- Never use the plug without the fuse cover fitted. Ensure replacement fuse is the same current value as the original. Replacement fuses are available and should be ASTA approved to BS1362
- NOTE: when you lift the kettle from the base, you will see drops of moisture on the surface of the power base. This is the steam used to switch the kettle off automatically, which then condenses and escapes through vents in the underside of the kettle. This is perfectly normal, and should not be cause for alarm or returning the kettle.

SAVE THESE INSTRUCTIONS

READ ALL INSTRUCTIONS

BEFORE USING THE KETTLE KEEP THESE INSTRUCTIONS FOR FUTURE REFERENCE

- This appliance can be used by children aged from 8 years and above and persons with reduced physical, sensory or mental capabilities or lack of experience, and knowledge if they have been given supervision or instruction concerning use of the appliance in a safe way and understand the hazards involved. Children shall not play with the appliance. Cleaning and user maintenance shall not be made by children unless they are older than 8 and supervised.
- Keep the appliance and its cord out of reach of children less than 8 years
- To be protected against electrical hazards, do not immerse the mains lead, plug, power base or kettle in water or any other liquid
- Do not use in bathroom or outdoors
- Use handles or knobs – do not touch hot surfaces
- Scalding may occur if the lid is opened during the brewing cycle
- Take care when pouring – pour slowly and do not over-tilt the kettle
- Water will remain hot for a considerable time after boiling and can present a scald hazard. Keep the kettle, power base and the mains lead away from the edge of worktops and out of the reach of children
- Do not leave appliance unattended when in use.
- **THIS IS AN ATTENDED APPLIANCE**
- Allow the kettle to cool down completely before cleaning and storing
- CAUTION: to prevent damage to the appliance, do not use alkaline cleaning agents. When cleaning, use a soft cloth and a mild detergent
- This appliance is not intended for use by young children or infirm persons unless they are supervised
- This appliance is intended for household use only. If the appliance is used improperly or for professional or semi-professional purposes or if it is not used according to these instructions the guarantee becomes invalid and Dualit refuses any liability for damage caused
- Unplug the power base from the wall socket when not in use, or before moving and cleaning
- Ensure that the lid is fully closed before switching the kettle on, otherwise it may not properly switch off
- Ensure that the kettle is correctly positioned on the power base before switching on
- Do not fill above the bottom of the 'max' mark on the water level indicator

Architect Kettle
Instruction manual

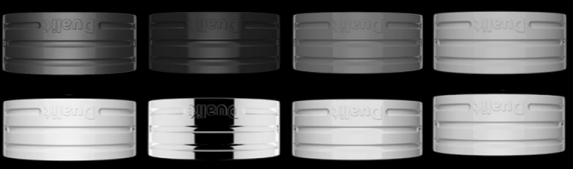


CJK1



You may also like the matching Architect toaster

MOVING HOUSE, UPDATING YOUR KITCHEN OR JUST LOOKING FOR A SPLASH OF COLOUR CHANGE YOUR PANELS AT WWW.DUALIT.COM/ARCHITECT



Dualit Limited County Oak Way Crawley West Sussex RH11 7ST
Telephone: +44(0)1293 652 500 Facsimile: +44(0)1293 652 555 Email: info@dualit.com Web: www.dualit.com

GB0812

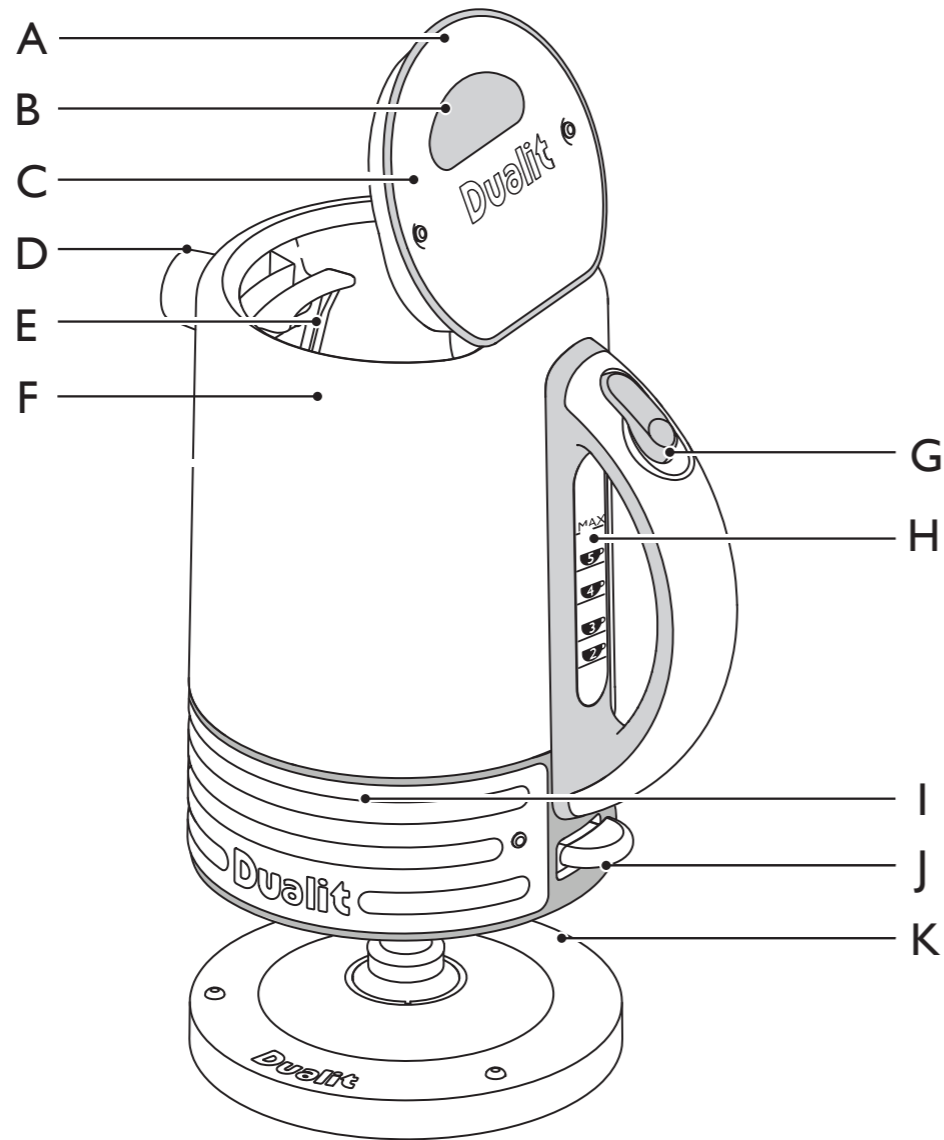
INSTRUCTIONS ON ENVIRONMENT PROTECTION

Do not dispose of this product in the usual household garbage at the end of its life cycle. Please hand it over to a collection point for the recycling of electrical and electronic appliances. The symbol on the packaging will inform you about the methods of disposal. The materials are recyclable as mentioned on its marking. By recycling, material recycling or other forms of re-utilization of old appliances you are making an important contribution to protect our environment. Please inquire at the community administration for the authorised disposal location.



KNOW YOUR KETTLE

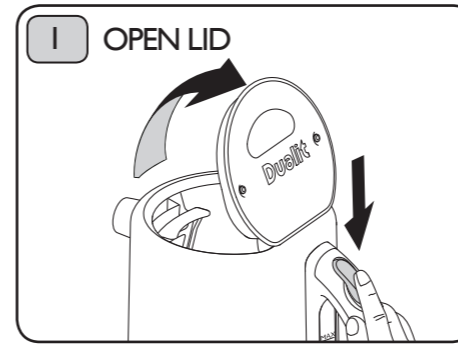
- A. LID
- B. TOUCH PAD
- C. LID PANEL
- D. SPOUT
- E. WATER FILTER
- F. STAINLESS STEEL BODY
- G. LID RELEASE
- H. VIEWING WINDOW
- I. BODY PANEL
- J. ON/OFF SWITCH
- K. POWERBASE



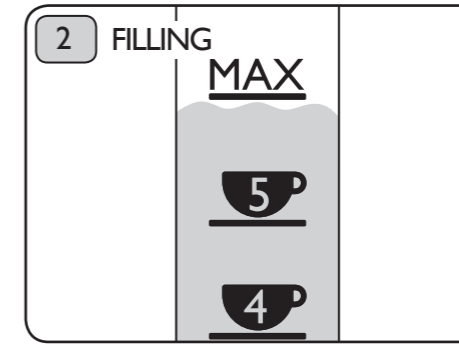
All illustrations are for representation only, your model may vary from illustrations shown.

In the interest of improving products, Dualit Ltd. reserves the right to change the product specification without prior notice.

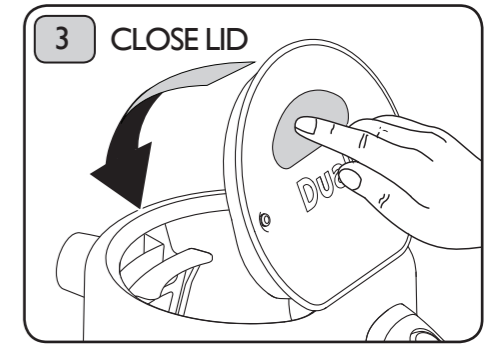
FILLING YOUR KETTLE



Press the lid release button on the handle to open the lid.
WARNING: IF THE KETTLE HAS JUST BOILED, IT WILL BE FULL OF STEAM, WHICH WILL ESCAPE AS SOON AS THE LID IS OPENED.

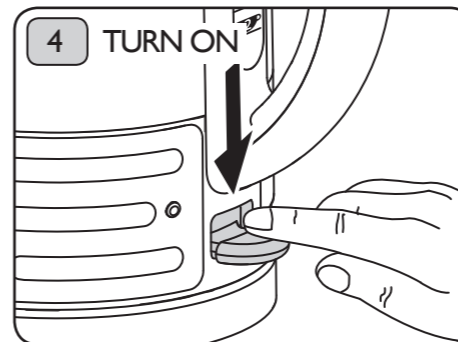


Fill the kettle through the lid opening. Do not fill through the spout. Save energy, only boil what you require. Use at least one cup of water (250ml). The water level must stay below the 'max' mark.

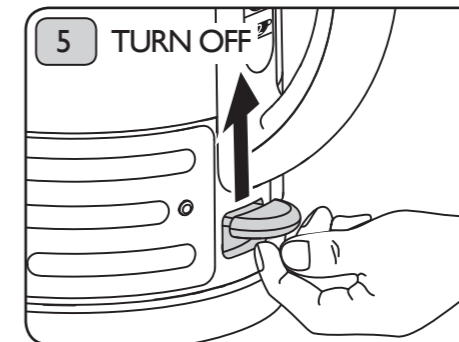


Push the lid down using the touch pad to close.
WARNING: IF THE KETTLE HAS JUST BOILED, THE LID WILL BE HOT. USE THE TOUCH PAD TO CLOSE THE LID.

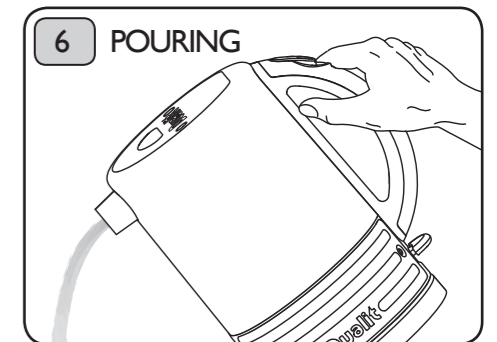
BOILING WATER



Press the 'On/off' switch down. The viewing window will illuminate and the kettle will start to heat up. If the kettle is accidentally switched on with no water inside, the boil-dry device will switch off the heating element to prevent damage to the kettle.

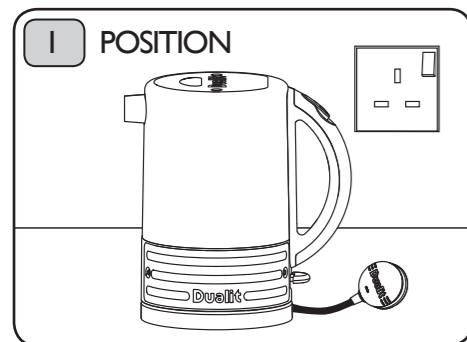


The kettle will automatically turn off after the water has boiled. To turn off before the water has boiled lift the 'On/off' switch up.

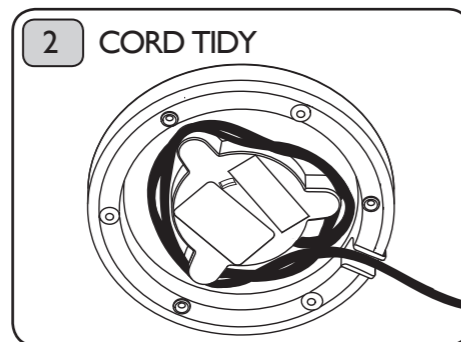


To avoid the risk of splashing, once the kettle has boiled wait 10 seconds then pour slowly. Do not over-tilt the kettle.

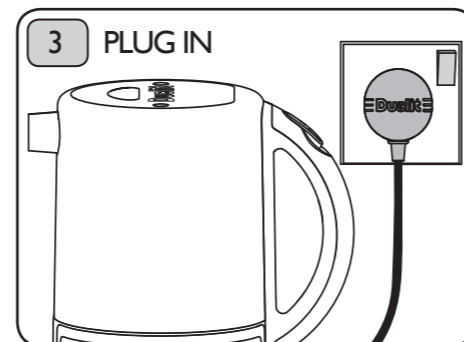
BEFORE FIRST USE



Place the kettle as close to the wall socket as possible. When in use ensure the kettle is not placed under kitchen cabinets.

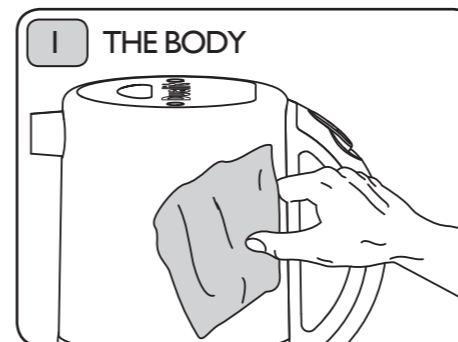


Use the shortest cord possible. Wrap excess cord round the cord tidy on the base of the kettle.



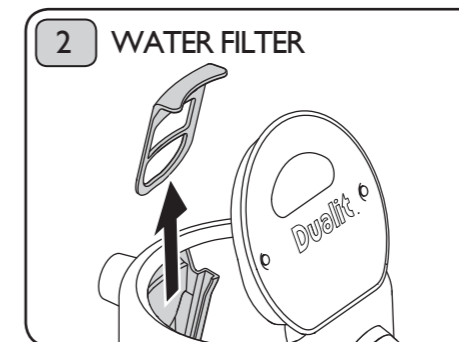
Plug the kettle into the power socket and turn the power on. When not in use ensure the kettle is unplugged.

CLEANING & CARE



Let the kettle cool down completely before cleaning.

Wipe the outside and inside surfaces of the kettle with a damp cloth



Open the lid. Hold the top of the filter, pull up and out of the kettle. Rinse under a tap while carefully brushing it with a soft brush.

Rinse the kettle out with fresh water.

DESCALE REGULARLY

Use descaling products suitable for kitchen appliances, these are readily available online or from most supermarkets or department stores. Use as per instructions on the packet.

Follow these few simple steps to minimise scale build up in your kettle: Empty the kettle after each use; do not allow water to stand in the kettle overnight. Use filtered water instead of tap water. Descal the kettle regularly, at least once a month. If you live in a hard water area you may need to descale more often. When descaling has finished, empty the kettle and rinse it out numerous times with fresh water, then refill with fresh water, boil, then discard boiled water.