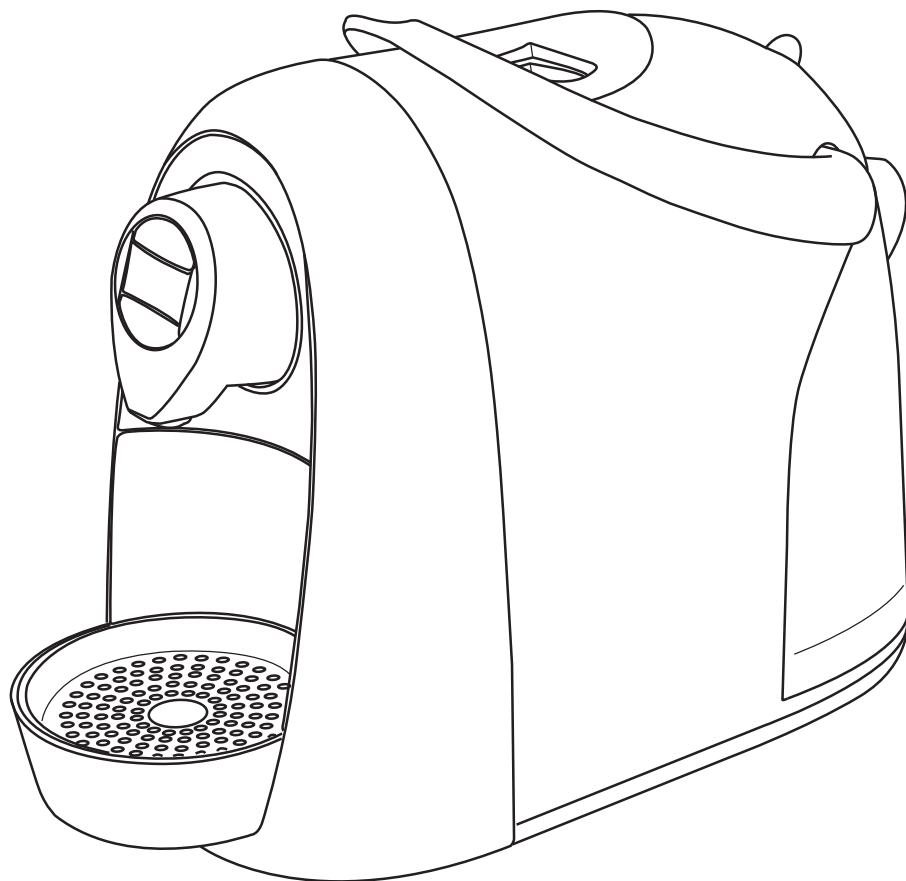


# Rapido Capsule Machine

Instruction Manual & Guarantee

**Dualit**®

Since 1945



# CONTENTS

|                                   |    |
|-----------------------------------|----|
| Safety precautions                | 3  |
| Intended use and disposal         | 5  |
| Know your capsule machine         | 6  |
| First use & after draining        | 8  |
| Warm & prime machine              | 9  |
| Brewing coffee                    | 10 |
| Rinsing after beverages           | 11 |
| Out of water during brewing cycle | 12 |
| Interrupted brewing cycle         | 13 |
| Adjusting cup height              | 14 |
| Choosing the volume               | 15 |
| Choosing the temperature          | 16 |
| Saving energy                     | 17 |
| Daily maintenance                 | 18 |
| Descaling the machine             | 19 |
| To cancel the descaling cycle     | 21 |
| Draining the appliance            | 22 |
| Troubleshooting                   | 23 |
| Guarantee                         | 24 |

Unpack the box with care, keeping all the packaging materials until you are satisfied everything is present and in working order. Once satisfied remove any tags from the CAPSULE MACHINE and recycle the packaging appropriately.

# SAFETY PRECAUTIONS

## **READ ALL THE INSTRUCTIONS CAREFULLY BEFORE USING YOUR DUALIT CAPSULE MACHINE. KEEP THESE INSTRUCTIONS SAFE FOR FUTURE REFERENCE.**

Always follow these safety precautions when using your capsule machine, for your own safety and to avoid damaging the machine.

- Do not use the appliance if it is damaged in any way. At the first sign of defects or unusual noises or smells, turn off the appliance and unplug it. In such cases contact an Authorised Service Centre.
- Only use the appliance if the power cord is intact. If the cord is damaged, it should be replaced. Contact an Authorised Service Centre to prevent danger of electric shocks. Do not leave the power cord near hot surfaces, sharp edges or other sharp objects. When disconnecting the appliance, pull the plug, not the cord; otherwise it may be damaged.
- Only connect the appliance to power

outlets complying with the requirements of law. Make sure that the power supply voltage matches the rating shown on the data plate on the bottom of the appliance.

- To avoid the risk of fire, set the appliance on a flat, heat-resistant surface. Only use and store the appliance indoors.
- Do not let the power cord dangle! Position the cord so there is no risk of tripping.
- Do not allow the appliance to be used by children or persons with impaired mental, physical or sensory faculties or insufficient experience and/or skills, unless they are under the careful supervision and guidance of a person responsible for their safety. Children must be kept under supervision to prevent them from playing with the appliance.
- Always close the lever. Never open the lever while the appliance is operating. Always use the appliance with the drip tray and grill in place.
- The quantity of coffee dispensed can be programmed up to a maximum of 250ml.
- Never place your hands inside the capsule compartment. Danger of injury! Never remove parts of the appliance. Do not insert objects into the openings. This could cause electric shocks! Any operation that is not described in this

# INTENDED USE AND DISPOSAL

instruction manual should only be performed by an Authorised Service Centre.

- Clean the appliance carefully and regularly. If it is not cleaned, the build-up that forms may be hazardous to your health. Unplug the appliance and allow it to cool before cleaning.
- Descale the appliance regularly, following the instructions provided. If you do not, the appliance may be damaged and may become harmful to your health.
- Make sure the electrical elements, plug and cord are dry. Never submerge the appliance in water. Protect the appliance from sprays and drips. Water and electricity together constitute a risk of electrocution
- If you do not expect to use the appliance for a long period of time, unplug it.

## SAVE THESE INSTRUCTIONS

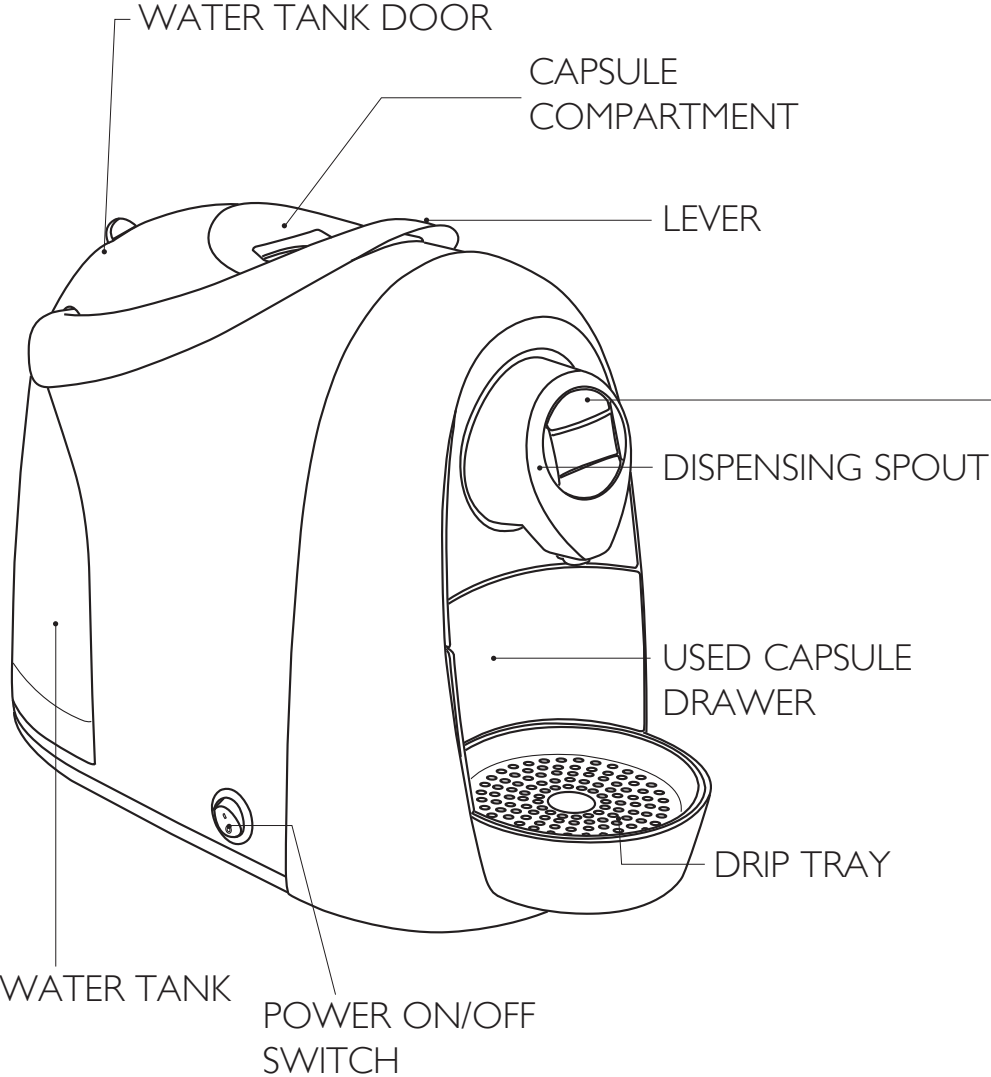
In the interest of improving products, Dualit Ltd. reserves the right to change the product specification without prior notice.

- The appliance is made to brew coffee and dispense hot water. It is intended for domestic use and must be used in accordance with these instructions. Use only Caffitaly System capsules. Any other use is to be considered improper. Use of the appliance in any manner other than as directed herein could cause harm to persons and void the guarantee. The manufacturer will not be responsible for injury or damage resulting from improper use of the appliance.
- The appliance has been manufactured using high quality materials that can be reused or recycled. Dispose of the appliance in a suitable waste collection centre.
- When you decide to dispose of the appliance, unplug it from the power outlet. Then cut off the power cord as close to the body of the appliance as possible.
- Directions for correct disposal of the product according to European Directive 2002/96/EC. At the end of its useful life, the product should not be disposed of with unsorted household waste. It should be taken to a suitable selective waste collection centre set up by the local authorities or returned to a retailer who provides this service. Separate collection of an electric household appliance avoids a possible negative impact on the environment and health arising from improper disposal and enables the materials it is

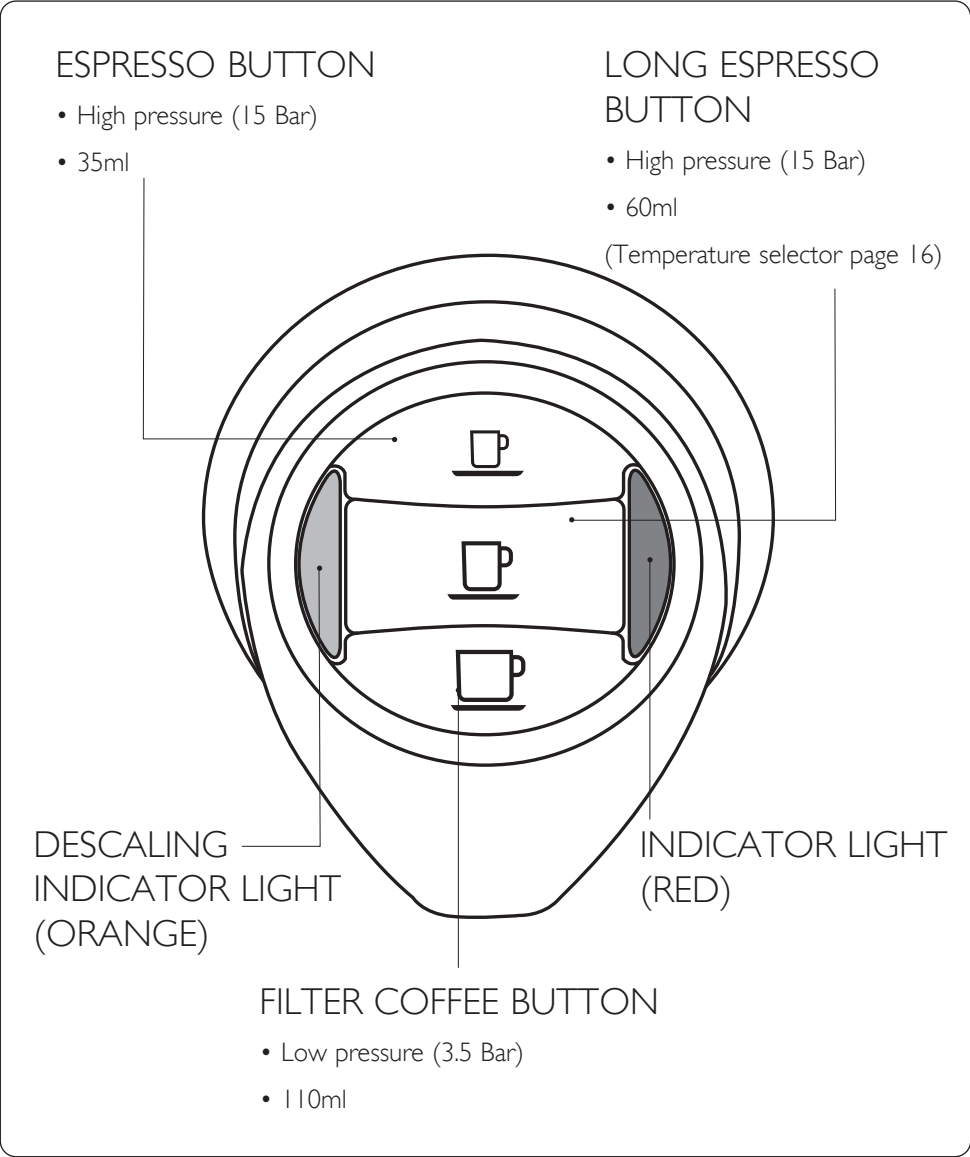
made of to be recovered so as to achieve significant savings of energy and resources. The crossed-out wheellie bin symbol applied on the product highlights the need to dispose of electric appliances separately. Improper disposal of the product by the user shall be subject to specific administrative sanctions as provided for under current regulations. The packaging is made from recyclable materials. Contact the relevant authorities for information regarding local legislation.

- The Caffitaly System plastic capsule cups are recyclable. The foil cover is not and should be removed from the capsule cup and disposed of with unsorted household waste. The used coffee grounds can be composted.

# KNOW YOUR CAPSULE MACHINE



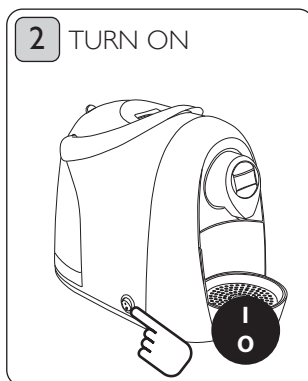
## CONTROLS



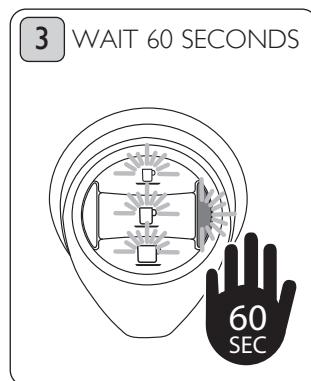
# FIRST USE & AFTER DRAINING



Fill the water tank with fresh, still water.



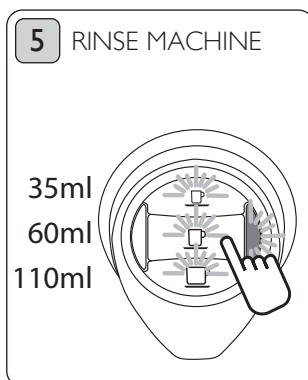
Plug in the appliance and turn it on.



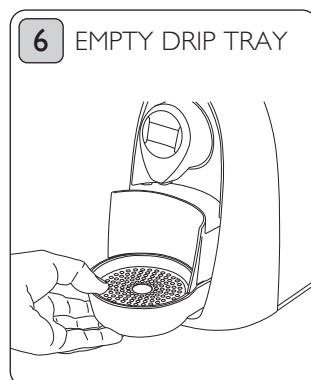
The buttons and indicator light will blink simultaneously. Wait 60 seconds.



Place a cup under the dispensing spout. Ensure **NO** capsule is inserted in the capsule compartment.



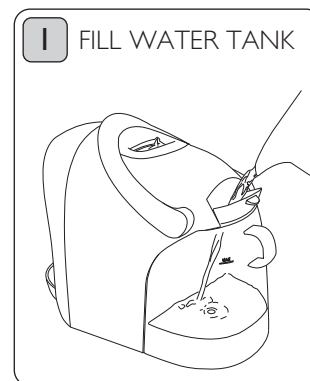
Press the Long espresso button to prime. All the buttons and the indicator light will blink.



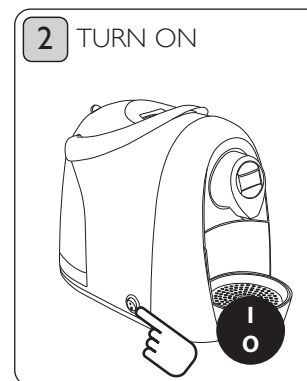
At the end of this operation, empty out the water from the drip tray.

# WARM AND PRIME MACHINE

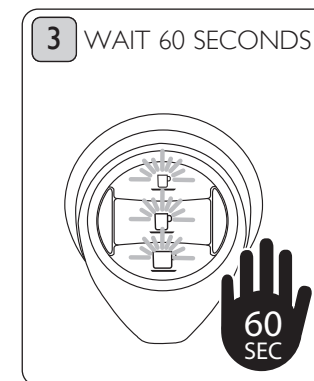
The cup must be the correct temperature before the first use. N.B. failure to do this will effect the temperature of the coffee.



Fill water tank with water, do not go above the max mark. Filtered water will reduce the build up of limescale.



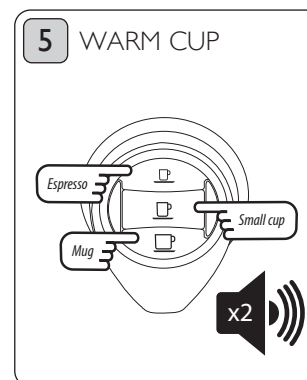
Plug in the appliance and turn it on.



The buttons will blink simultaneously. Wait 60 seconds.



Place a cup under the dispensing spout. Ensure **NO** capsule is inserted in the capsule compartment.



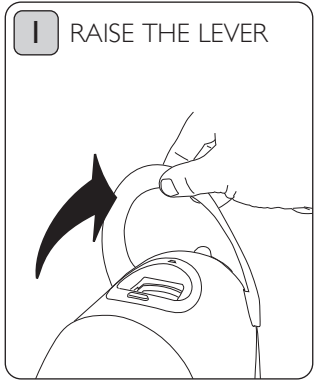
Press the desired coffee button once. The selected coffee button will blink. The appliance will stop dispensing on reaching the programmed quantity and emit a beep.



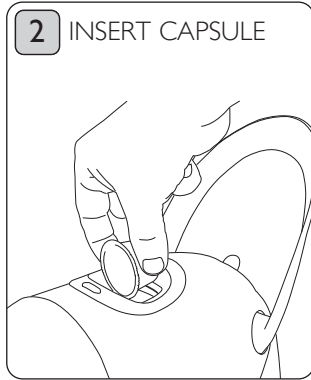
Discard the water from the pre-warmed cup or mug, dry and place back under the dispensing spout. Your machine is ready.

# BREWING COFFEE

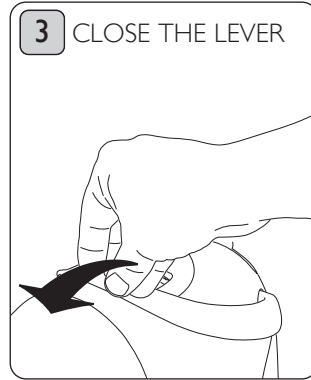
See individual capsule boxes for information on how to prepare beverage varieties.



Raise the lever to open the capsule compartment.



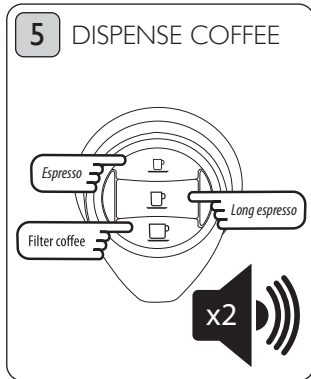
Insert the capsule, pressing it gently into place.



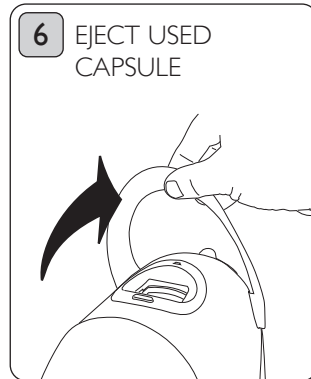
Close the lever firmly.



Place a prewarmed cup under the coffee dispensing spout.



Press the desired coffee button once. The selected coffee button will blink. The appliance will stop dispensing on reaching the programmed quantity and emit a beep.



Raise the lever to eject the used capsule into the drawer. Close the lever.

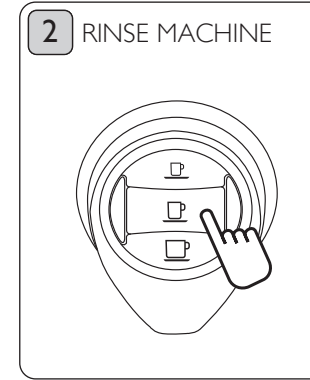
# RINSING AFTER BEVERAGES

Traces of the drink just dispensed may remain inside the machine. When switching from one drink to another or after the last use of the day rinse the machine.

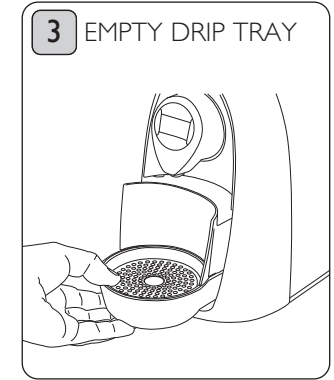


Place a cup under the dispensing spout.

Ensure **NO** capsule is inserted in the capsule compartment.

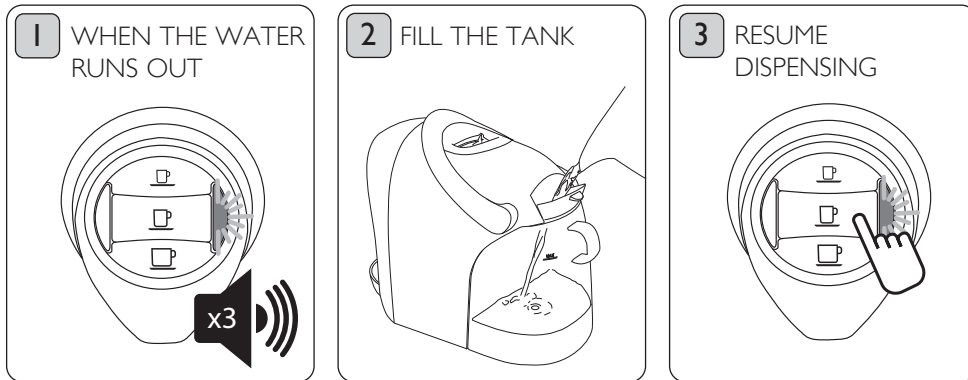


Press the Long espresso button. Repeat 2-3 times, emptying the cup when required.



At the end of this operation, empty out the water and capsules from the drip tray.

# OUT OF WATER DURING BREWING CYCLE

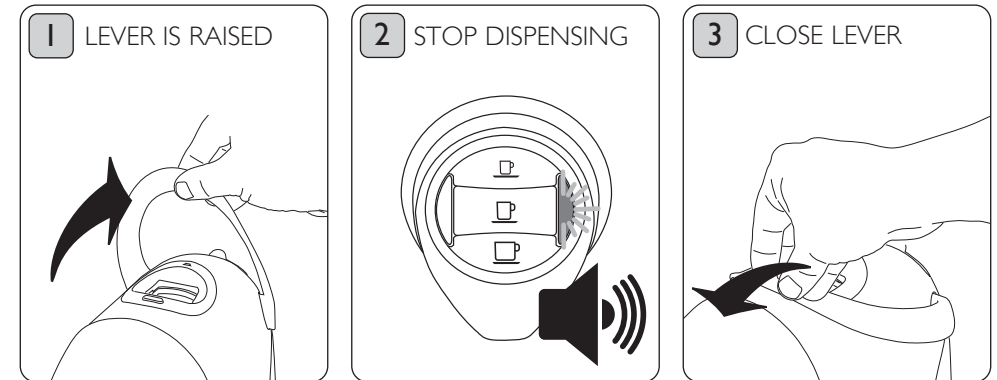


The indicator light will blink and the appliance will emit 3 beeps; the water tank is empty.

Fill the tank with fresh, still water.

Press the same button as before; the appliance will resume dispensing.

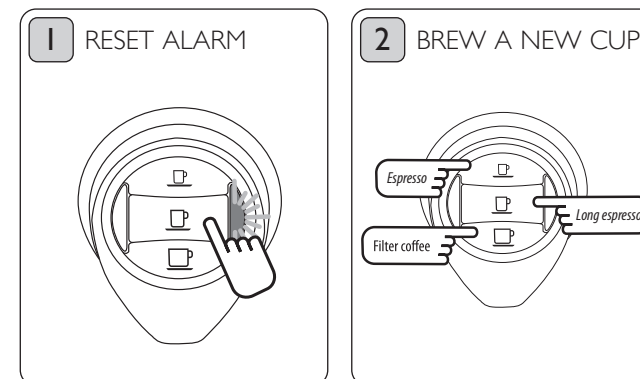
# INTERRUPTED BREWING CYCLE



If the lever is raised while a beverage is being dispensed...

... the indicator light will blink and an intermittent beep will be emitted. The appliance will immediately stop dispensing.

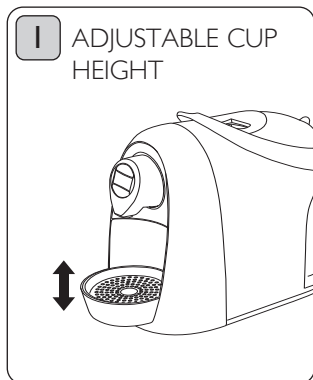
Close the lever.



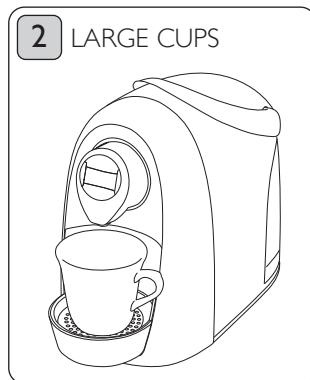
Press a button to reset the alarm.

Press the button corresponding to the desired type of coffee to brew a new cup.

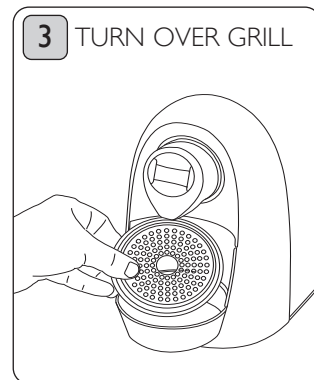
# ADJUSTING THE CUP HEIGHT



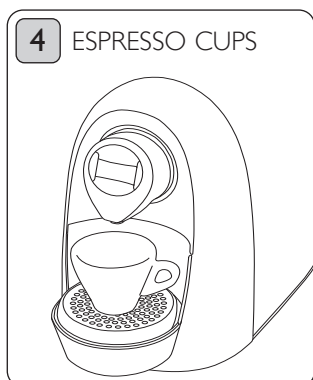
The appliance can be adjusted for the use of mugs or espresso cups.



The appliance is initially set for the use of large cups.



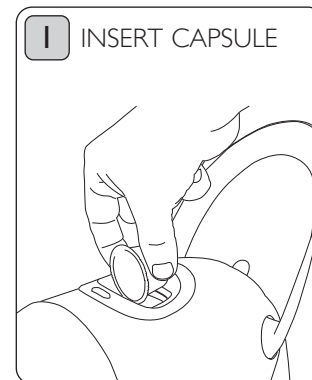
In order to use espresso cups, you must lift and turn the grill on top of the drip tray.



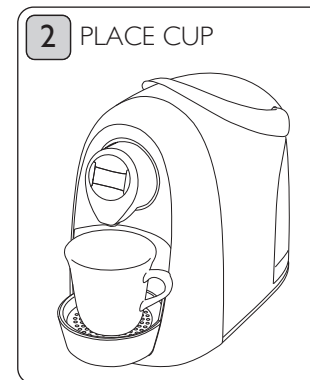
In this way you can obtain the best results when using small espresso cups.

# CHOOSING THE VOLUME

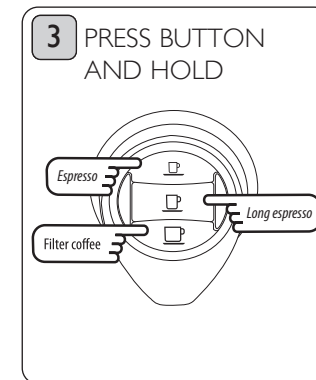
The quantities of coffee dispensed is preprogrammed. The volume can be changed according to your personal taste and the size of the cups.



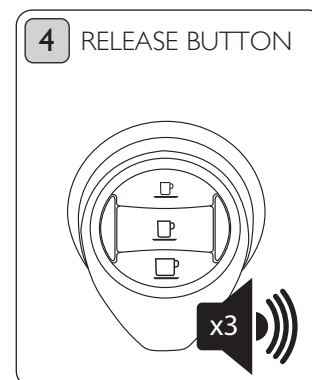
Insert the capsule, pressing it gently into place (see page 10).



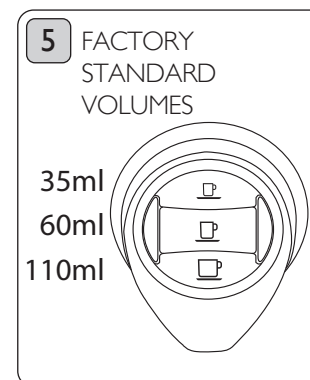
Place a cup under the coffee dispensing spout depending on the type of coffee you wish to programme.



Press and hold the desired coffee button.



On reaching the desired amount of coffee in a cup, release the button. The appliance will emit 3 beeps. Now the button is reprogrammed.

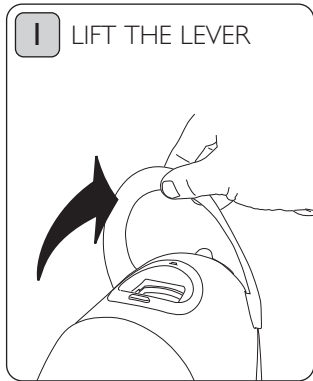


The factory standard volumes are: **espresso 35ml**, **long espresso 60ml** and **filter coffee 110ml**.

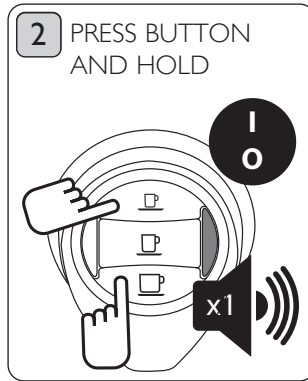


# CHOOSING THE TEMPERATURE

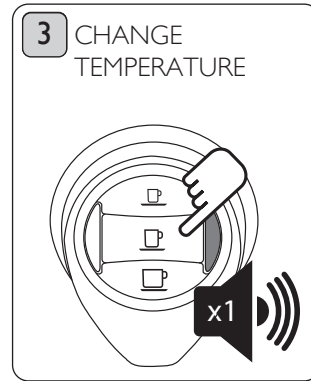
The temperature of coffee dispensed can be preprogrammed according to personal taste.



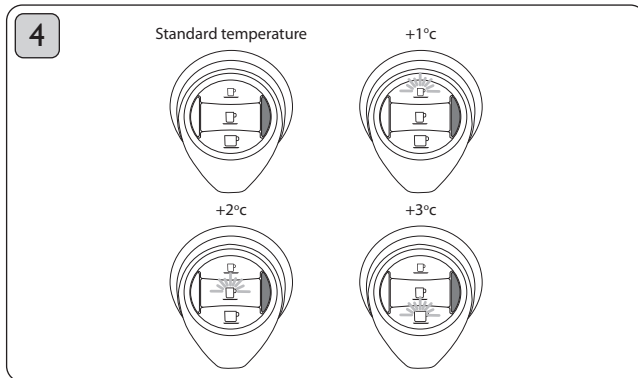
Switch the machine off and lift the lever.



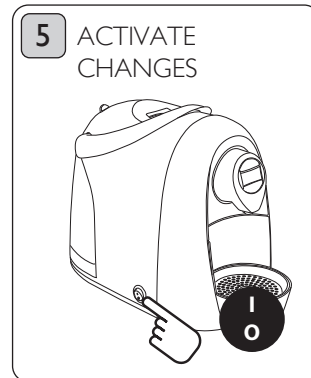
Press and hold down the buttons simultaneously and press the power on/off switch. **Ensure both buttons are firmly pressed.** The indicator light will be illuminated and one beep will be emitted.



Press the temperature selector button until you reach the temperature required. The machine will emit a beep.



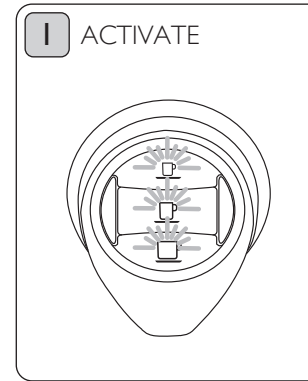
N.B. The button illuminated denotes coffee temperature setting. To scroll through options press the long espresso button (see image 3 above).



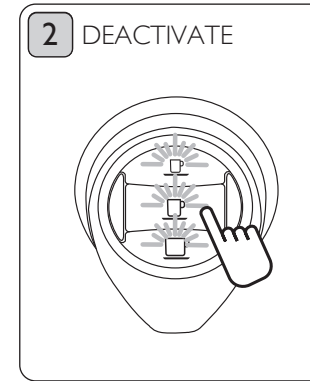
Switch off and on to activate the changes.

# SAVING ENERGY

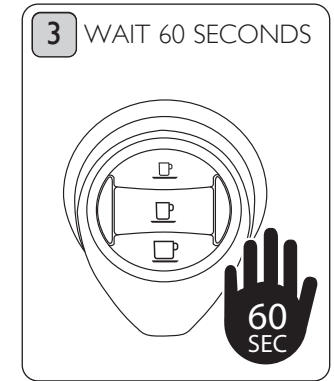
The machine features a function which automatically reduces energy consumption by around 98% after one hour has elapsed from last use.



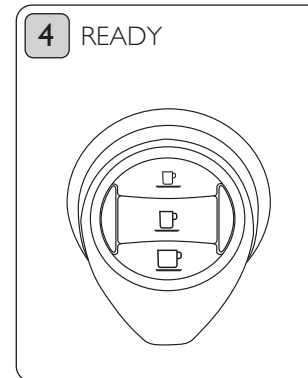
The machine will automatically reduce consumption one hour after the last. The buttons will blink intermitently.



To restore normal operating conditions, press any button or raise the lever.



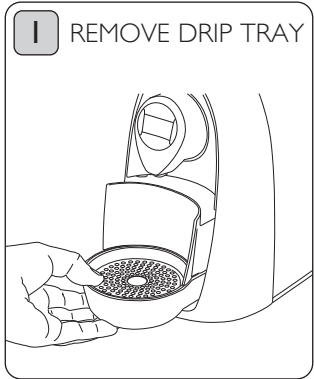
The appliance will warm up. Wait 60 seconds.



When the appliance is ready the buttons will be illuminated WHITE.

# DAILY MAINTENANCE

BEFORE CLEANING, MAKE SURE THE MACHINE IS SWITCHED OFF, UNPLUGGED AND ALLOWED TO COOL. Do not wash any of the plastic accessories in a dishwasher.



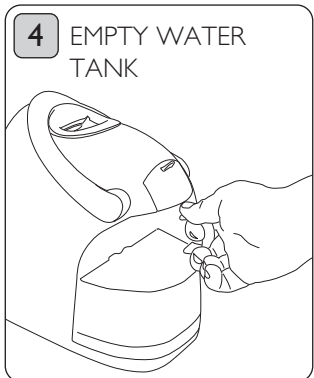
Remove the drip tray and used capsule drawer.



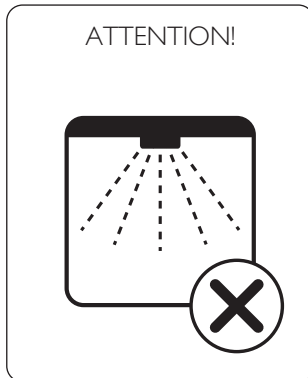
Lift the capsule drawer, empty and rinse it out.



Remove the grill. Empty the drip tray and rinse it out with fresh water.



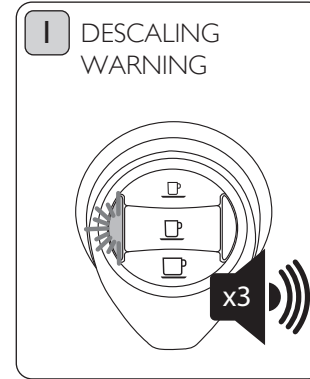
Remove the water tank. Empty and rinse out the tank.



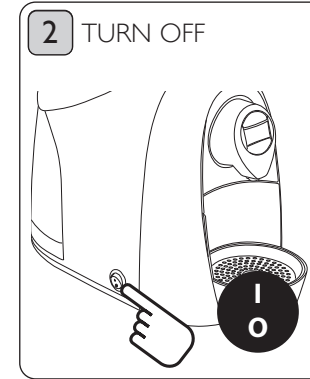
No parts are dishwasher safe. After each use clean all parts with a damp cloth.

# DESCALING THE MACHINE

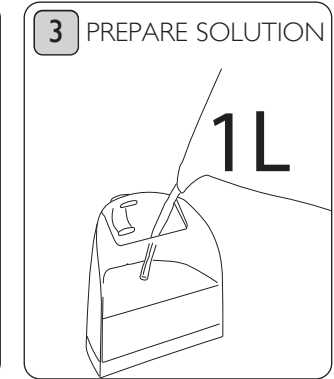
The machine features a programme that monitors how much water is used to dispense beverages. This provides the user with indications as to when the machine needs to be descaled.



When the descaling indicator light blinks and the appliance emits 3 beeps, it is advisable to carry out a descaling cycle.



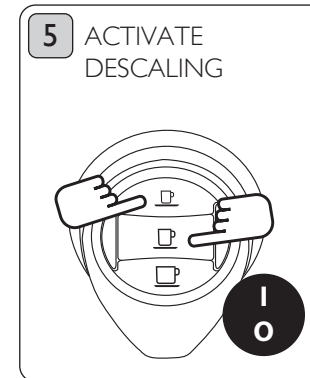
Turn the machine off.



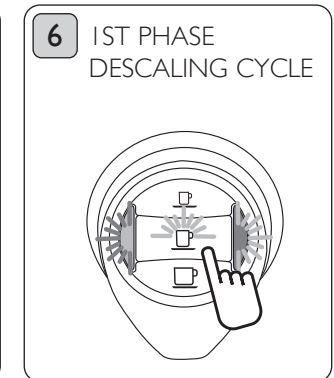
Prepare the descaling solution following the manufacturer's directions and pour 1 litre of solution into the tank.



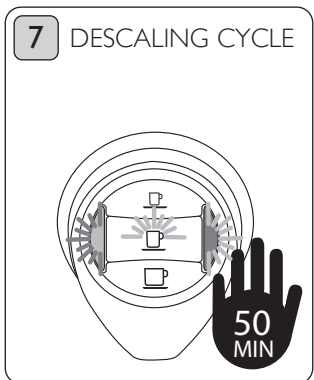
Place a container (at least 250ml) under the coffee dispensing spout. It is recommended to use a 700ml container.



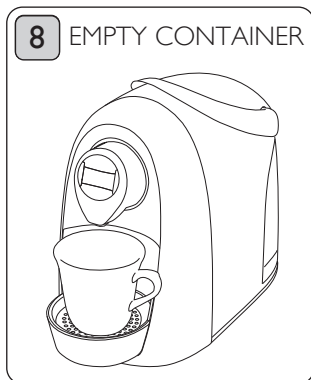
Press and hold down the buttons simultaneously and press the power on/off switch. **Ensure both buttons are firmly pressed.** Two people may be required to do this.



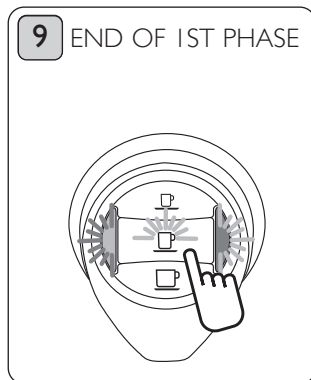
The Long espresso button, the descaling indicator light and the indicator light blink alternately. Press the button to start the descaling cycle.



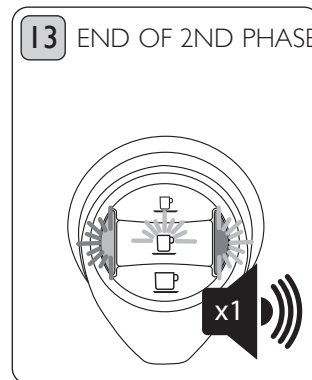
The machine doses a small amount of the descaling solution and then pauses to allow solution to work. There are 5 dose / pause cycles. Approx. 1 every 10 minutes.



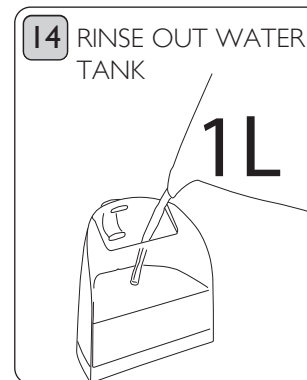
If the container fills up, empty it out.



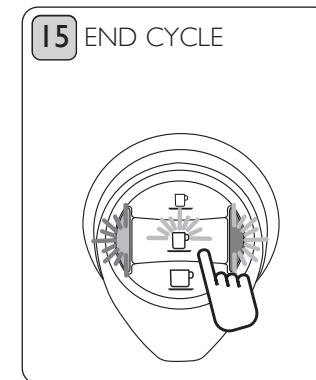
When the 1st phase of the descaling cycle is over, the Long espresso button, the descaling indicator light and the indicator light blink alternately.



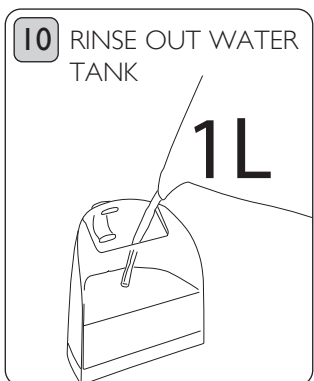
When the machine has purged approx 1 litre, the Long espresso button, the descaling indicator light and the indicator light blink alternately. The machine will emit a beep.



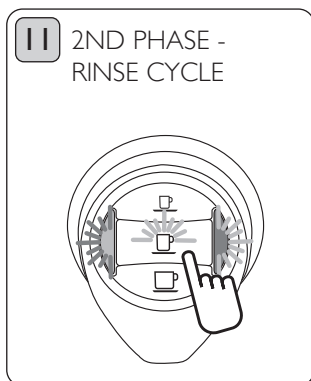
Carefully rinse out the water tank and fill it with fresh drinking water.



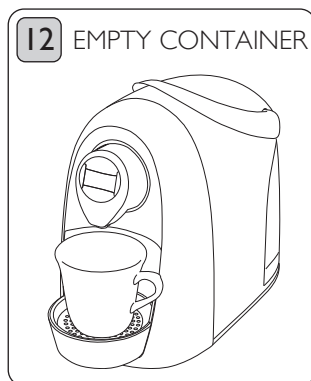
Press the button to quit the cycle and prime machine.



Carefully rinse out the water tank and fill it with fresh drinking water



The Long espresso button, the descaling indicator light and the indicator light blink alternately. Press the button to start the rinse cycle.

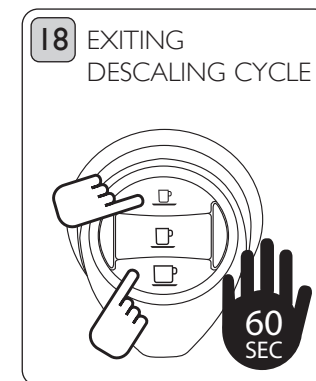


**N.B. you will need to empty the container during this cycle. To pause, lift lever or press a button. To resume close lever and press the long espresso button.**

## TO CANCEL THE DESCALING CYCLE

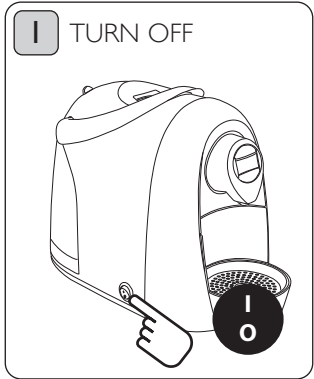
The cycle can be cancelled and reset. Hold down the **espresso** and **filter coffee** button for 3 seconds. This will cancel the descale cycle.

**N.B. Ensure both buttons are firmly pressed. Two people may be required to do this.**



# DRAINING THE APPLIANCE

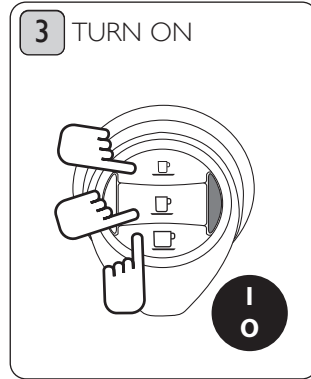
When the appliance is not used for a long time or it is only used once a week, it is necessary to drain the water. It is best to use fresh water for each use.



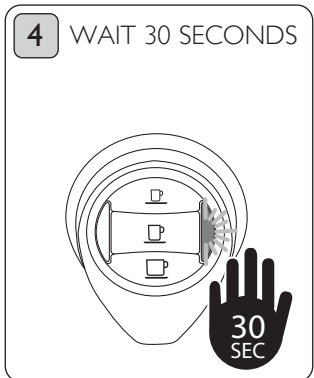
Turn the machine off.



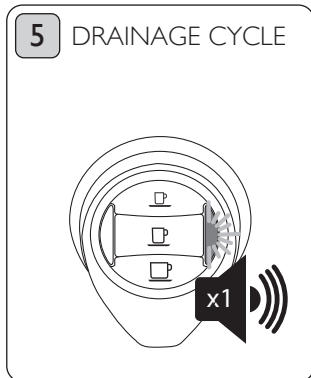
Remove and empty the water tank.



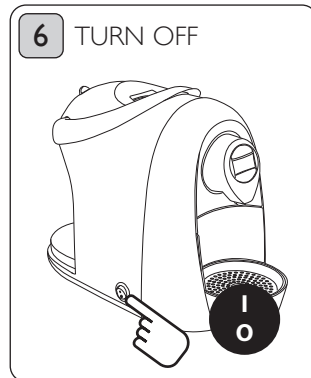
Press and hold down the buttons simultaneously and press the power on/off switch. **Ensure both buttons are firmly pressed.** Two people may be required to do this.



The indicator light will blink. Wait 30 seconds



The machine will carry out a drainage cycle. At the end the indicator light blinks and the appliance emits a beep.



Turn the machine off. The next time you turn it on you will have to carry out a new start-up procedure (see page 8).

# TROUBLESHOOTING

## What do I do if no coffee is brewed?

- The water is empty, the indicator light is on red
- Fill the tank with fresh water
- Make sure the tank is correctly positioned. You should see bubbles in the water rising to the top
- Press the desired coffee button
- The appliance will resume brewing

## What if the coffee is not hot enough?

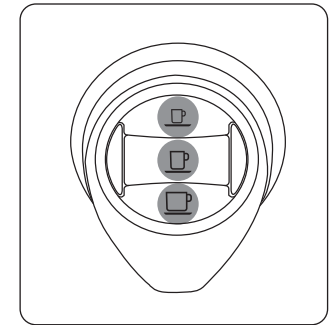
- Preheat the cup (see page 9)
- The cup may be cold or there may be a build up of scale in the machine
- Descal the machine

## What if the lever cannot be lowered?

- The used capsule drawer may be full or there may be a capsule stuck inside the machine
- Empty out the used capsule drawer
- Remove the used capsule

## What do I do if I can't access, drain or descale feature?

- Press down in the centre of the button
- Ensure you feel the button engage
- See active button zones highlighted



# GUARANTEE

This appliance is of excellent quality and construction. However, if any defects in materials or workmanship do appear during the relevant Guarantee period we will, at our discretion, either repair or replace the defective parts free of charge, subject to the terms and conditions of our Guarantee shown below.

This Guarantee covers both parts and labour. Carriage is not included.

Your Guarantee period is as follows:

- 1 years on parts

This Guarantee provides benefits which are additional to, and do not affect, your statutory rights. This Guarantee does not cover the cost of returning the product to the dealer from whom it was purchased or to Dualit. This guarantee applies only to products sold and located in mainland Great Britain. It does not cover liability in respect of or replacement of plugs, cables or fuses and also does not cover defects due to:

- Failure to use or maintain product in accordance with Dualit's instructions
- The product being connected to an unsuitable electricity supply
- Accidental damage to or abuse or misuse of the product
- The product has not been modified except by Dualit or approved agent
- Dismantling of or interference with the product
- Theft or attempted theft of the product

Before returning any product under this Guarantee, please check that:

- You have followed the product instructions correctly

- Your mains electricity supply is functional
- The defect is not due to a blown fuse

If you wish to claim under this Guarantee you should:

- Send the product, postage or carriage paid, to the dealer from whom it was purchased or to Dualit direct
- Ensure that the product is clean and packed carefully (preferably in its original carton)
- Enclose details of your name, address and telephone number and when and where the product was purchased, together with proof of purchase (e.g. a till receipt)
- Give exact details of the nature of the defect

This Guarantee does not cover any other claims whatsoever, including, without limitation, any liability for incidental, indirect or consequential damage, nor does it cover any claims for conversion or modification or for the costs of repair carried out by any third party without the prior consent of Dualit. If replacement parts are fitted to the product this will not extend the period of the Guarantee.

For further advise contact the Dualit customer helpline on +44 (0)1293 652 500 (09:00 to 17:00 Monday to Friday).

Alternatively, email Dualit at [info@dualit.com](mailto:info@dualit.com) or visit [www.dualit.com](http://www.dualit.com).

# Dualit®



Dualit Limited County Oak Way Crawley West Sussex RH11 7ST

Telephone: +44 (0) 1293 652 500 Facsimile: +44 (0) 1293 652 555

Email: [info@dualit.com](mailto:info@dualit.com) Web: [www.dualit.com](http://www.dualit.com)

GB0710